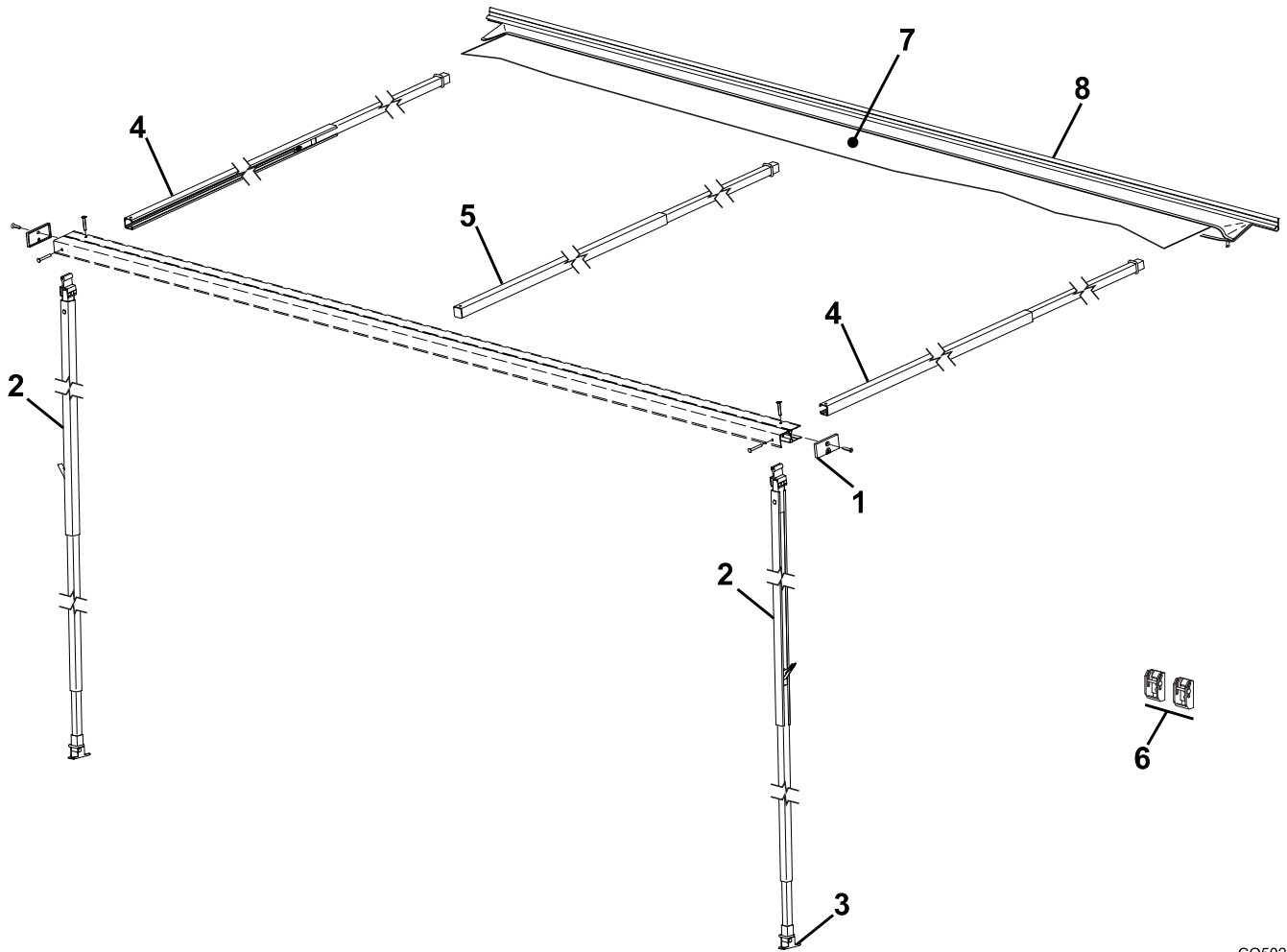


# CAMPOUT (METRIC) ILLUSTRATED PARTS LIST



CO502

<i>Item</i>	<i>Part Number</i>	<i>Description</i>	<i>Notes</i>
1	R00396	End Cap	pkg of 2
2	R001006	Vertical Support Arm Assembly, Complete	2.57 meter
	R001638	Vertical Support Arm Assembly, Complete	3, 3.5 & 4 meter
3	R00394	Carport Foot	
4	R001639	Rafter	2.57 meter
	R001656	Rafter	3, 3.5 & 4 meter
5	R001640	Rafter, Center	used with 3.5 & 4 meter only
6	R019283-001	Bottom Bracket Kit	pkg of 2
7		Canopy Only	Refer to Canopy Order Form
8		Awning Rail	See Hardware and Accessories

This manual has been provided courtesy of  
My RV Works, Inc.

[www.myrvworks.com](http://www.myrvworks.com)



You can find more RV service manuals here:

[www.myrvworks.com/manuals](http://www.myrvworks.com/manuals)

Over the years of running a mobile RV repair service, having a dedicated place to access service manuals for all the different appliances and components found on RVs was something that I always had a desire to create.

I hope this resource makes your RV repairs easier, as it has mine, but please be careful and follow proper safety practices when attempting to repair your own RV.

If in doubt, please consult with a professional RV technician!



DARREN KOEPP - OWNER, MY RV WORKS, INC.

*All service manuals provided on [www.myrvworks.com](http://www.myrvworks.com) are believed to be released for distribution and/or in the public domain.*