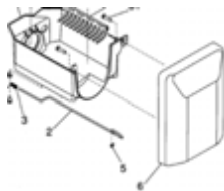




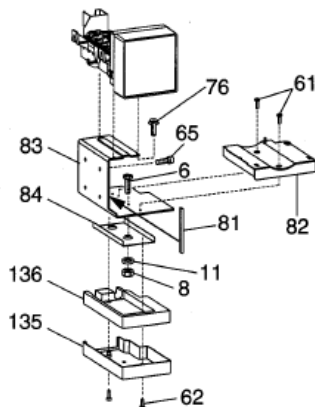
Drain Line Heater Replacement for model NDA1402

1. DRAIN LINE HEATER REMOVAL AND REPLACEMENT

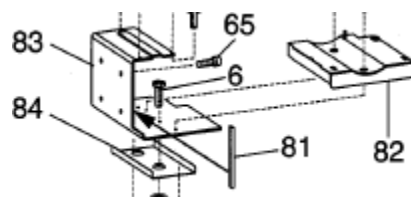
- a. Turn off 110VAC supply at breaker or disconnect.
- b. Remove Ice Container.



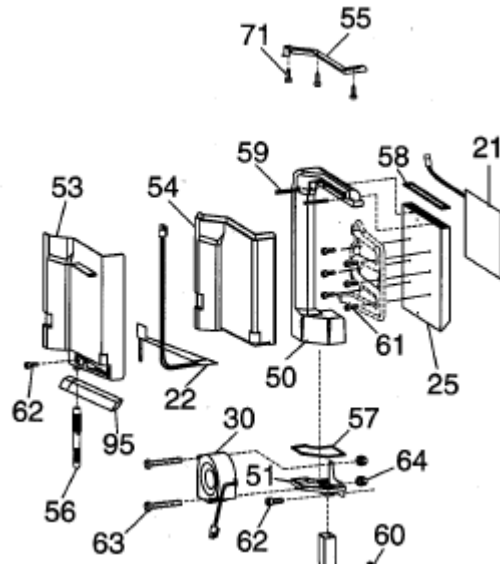
- c. Remove Outer insulation cover/inside insulating plate #135/136 using a Phillips screw driver. If there is an auxiliary fan installed - remove and set to the side. (Note: 2 screws are on the bottom of plate #135, screws #62.



- d. Remove Ice Container Base #82. Note: You will need a stubby or off-set screw driver to be able to access the screws on the top of the base as the bottom of the head unit does not allow enough room for a standard size screw driver.
- e. Remove part # 84 by accessing screws under #82.
- f. Remove ice maker shelf # 83. Note: Using a Phillips screw driver, remove screws from bracket that holds bracket onto side wall. There are 2 screws in the front and 2 screws in the back. The 2 screws in the back are also screwed into the motor bracket. ALSO – remove the screws underneath the motor that are attached to the bracket.

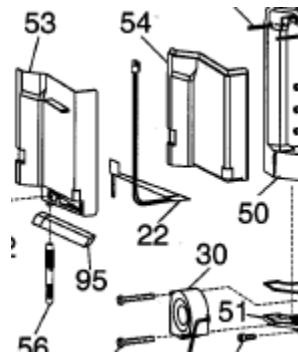


- g. Before completely removing head unit, unplug the 110VAC harness. After the harness is unplugged, continue to remove the icemaker. At this time, you can remove the cover to the interconnection box and disconnect the wire harness to the drain line heater. Note: This is a 2 pin harness with 2 white wires that attaches to a yellow and white wire.
- h. After the icemaker has been removed, remove the trim piece at the top right of side wall, # 55. Note: Using a Phillips screw driver, you will remove the three screws holding the trim piece (3 screws).



- i. Next remove the screws from the cover with drip tray, bottom right #62 (2 screws).
- j. Remove the Drain line heater.

When replacing the drain line heater #22, make sure that the tip of the heater is not kinked or bent in the drain line. This can cause a short in the element. Note: You can use something to guide the heater into the tube, but be cautious. Use something that is not sharp, i.e. a wood dowel, as you could puncture the film if using something with a sharp edge.



- k. After the Drain Line Heater has been replaced - repeat steps from H to A. Note: Connect 2-pin harness to heater; replace interconnection cover and 110VAC harness before installing ice maker.

This manual has been provided courtesy of
My RV Works, Inc.

www.myrvworks.com



You can find more RV service manuals here:

www.myrvworks.com/manuals

Over the years of running a mobile RV repair service, having a dedicated place to access service manuals for all the different appliances and components found on RVs was something that I always had a desire to create.

I hope this resource makes your RV repairs easier, as it has mine, but please be careful and follow proper safety practices when attempting to repair your own RV.

If in doubt, please consult with a professional RV technician!



DARREN KOEPP - OWNER, MY RV WORKS, INC.

All service manuals provided on www.myrvworks.com are believed to be released for distribution and/or in the public domain.