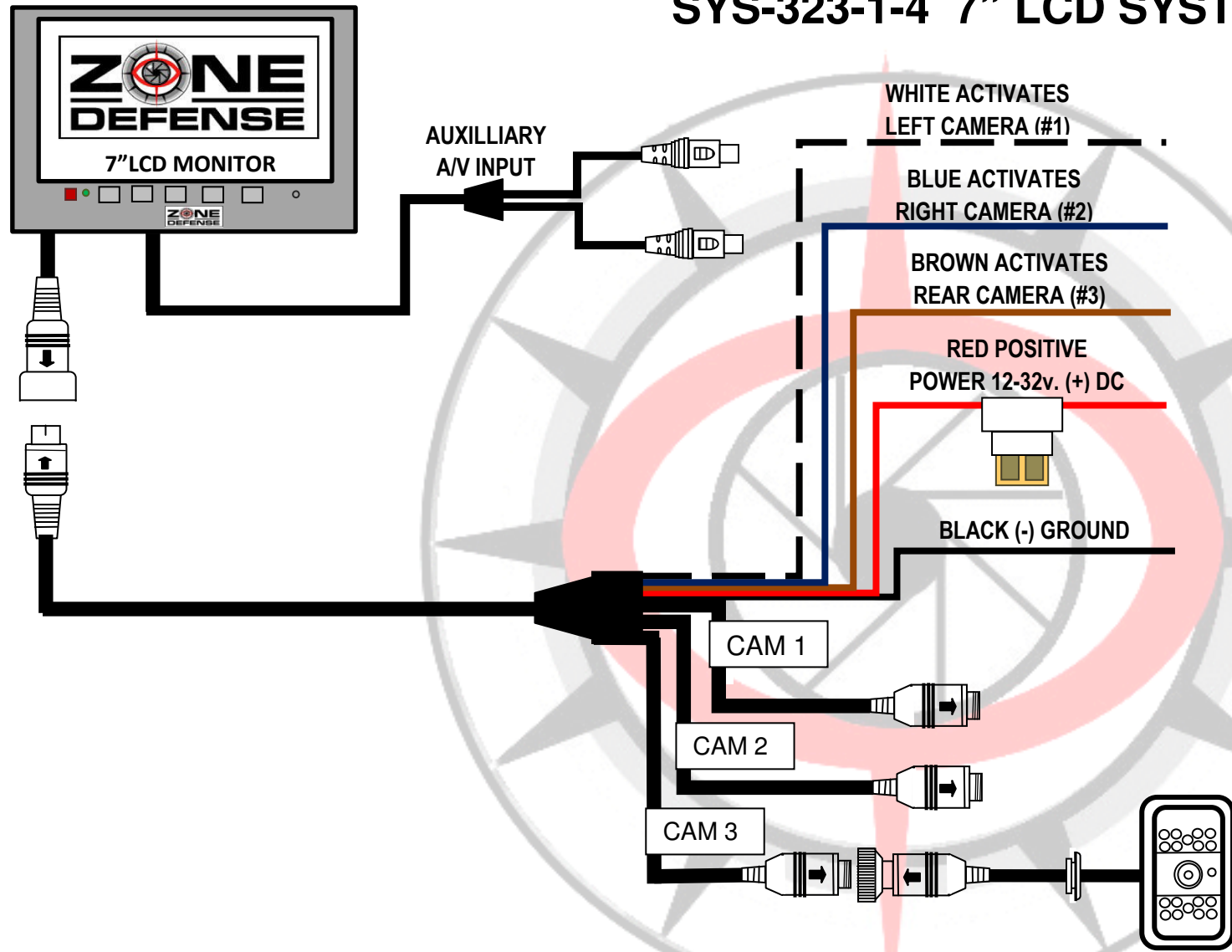




ZONE DEFENSE SYS-323-1-4 7" LCD SYSTEM



DESCRIPTION
SYS-323-1-4
Page 1 of 1

NOTICE
Above Drawings are for reference purpose only.
Drawings subject to change without notice.

DATE
7-2008
Compiled By
W. Verity

ZONE DEFENSE LLC
866 - 672 -1212
Drawing Name: SYS-323-1-4

This manual has been provided courtesy of
My RV Works, Inc.

www.myrvworks.com



You can find more RV service manuals here:

www.myrvworks.com/manuals

Over the years of running a mobile RV repair service, having a dedicated place to access service manuals for all the different appliances and components found on RVs was something that I always had a desire to create.

I hope this resource makes your RV repairs easier, as it has mine, but please be careful and follow proper safety practices when attempting to repair your own RV.

If in doubt, please consult with a professional RV technician!



DARREN KOEPP - OWNER, MY RV WORKS, INC.

All service manuals provided on www.myrvworks.com are believed to be released for distribution and/or in the public domain.