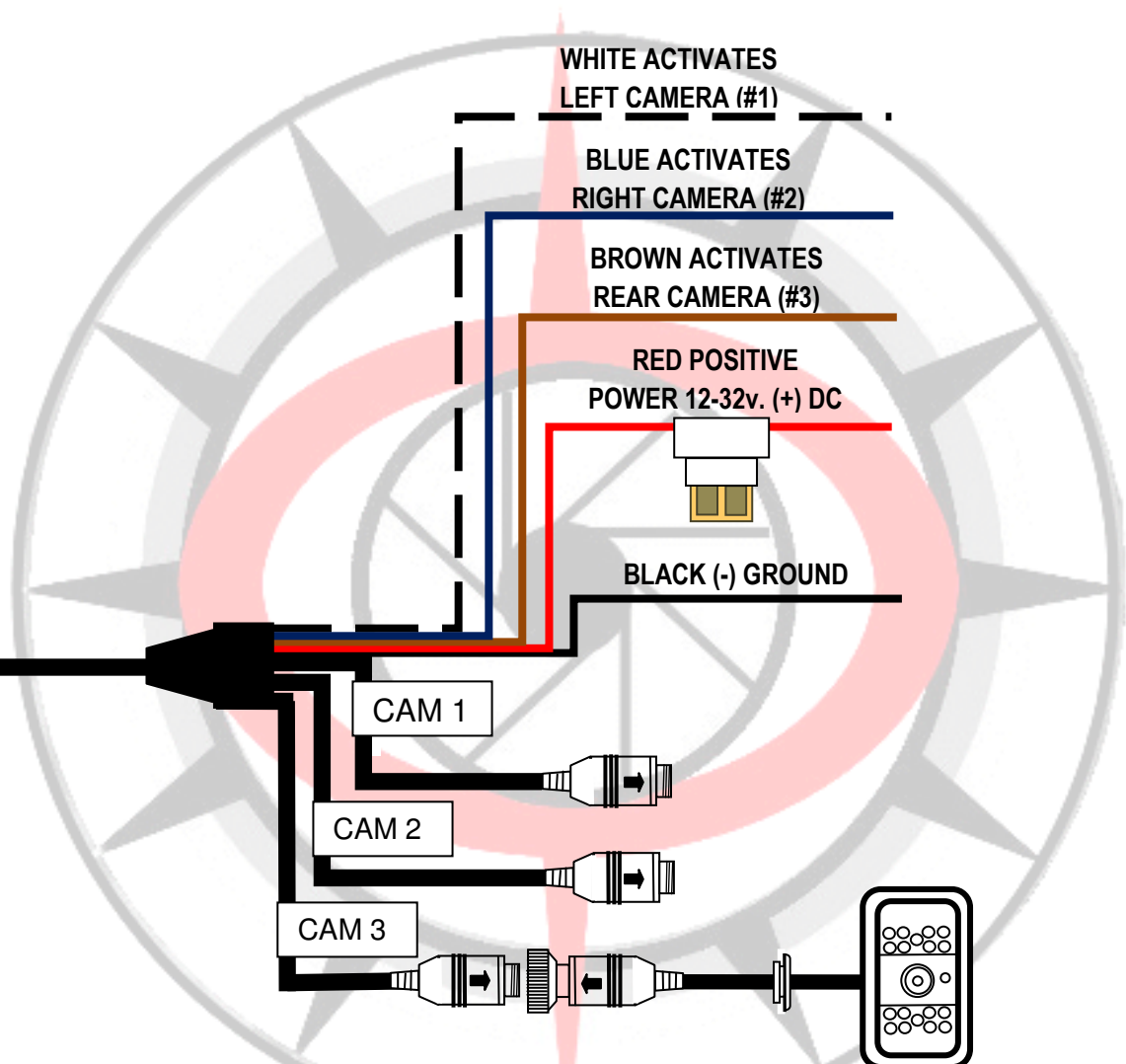
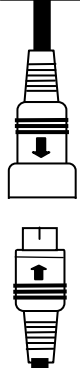




# ZONE DEFENSE SYS-322-1 5" LCD SYSTEM



DESCRIPTION  
SYS-322-1  
Page 1 of 1

NOTICE  
Above Drawings are for reference purpose only.  
Drawings subject to change without notice.

DATE  
3-2009  
Compiled By  
W. Verity

**ZONE DEFENSE LLC**  
**866 - 672 -1212**  
Drawing Name: SYS-322-1

This manual has been provided courtesy of  
My RV Works, Inc.

[www.myrvworks.com](http://www.myrvworks.com)



You can find more RV service manuals here:

[www.myrvworks.com/manuals](http://www.myrvworks.com/manuals)

Over the years of running a mobile RV repair service, having a dedicated place to access service manuals for all the different appliances and components found on RVs was something that I always had a desire to create.

I hope this resource makes your RV repairs easier, as it has mine, but please be careful and follow proper safety practices when attempting to repair your own RV.

If in doubt, please consult with a professional RV technician!



DARREN KOEPP - OWNER, MY RV WORKS, INC.

*All service manuals provided on [www.myrvworks.com](http://www.myrvworks.com) are believed to be released for distribution and/or in the public domain.*