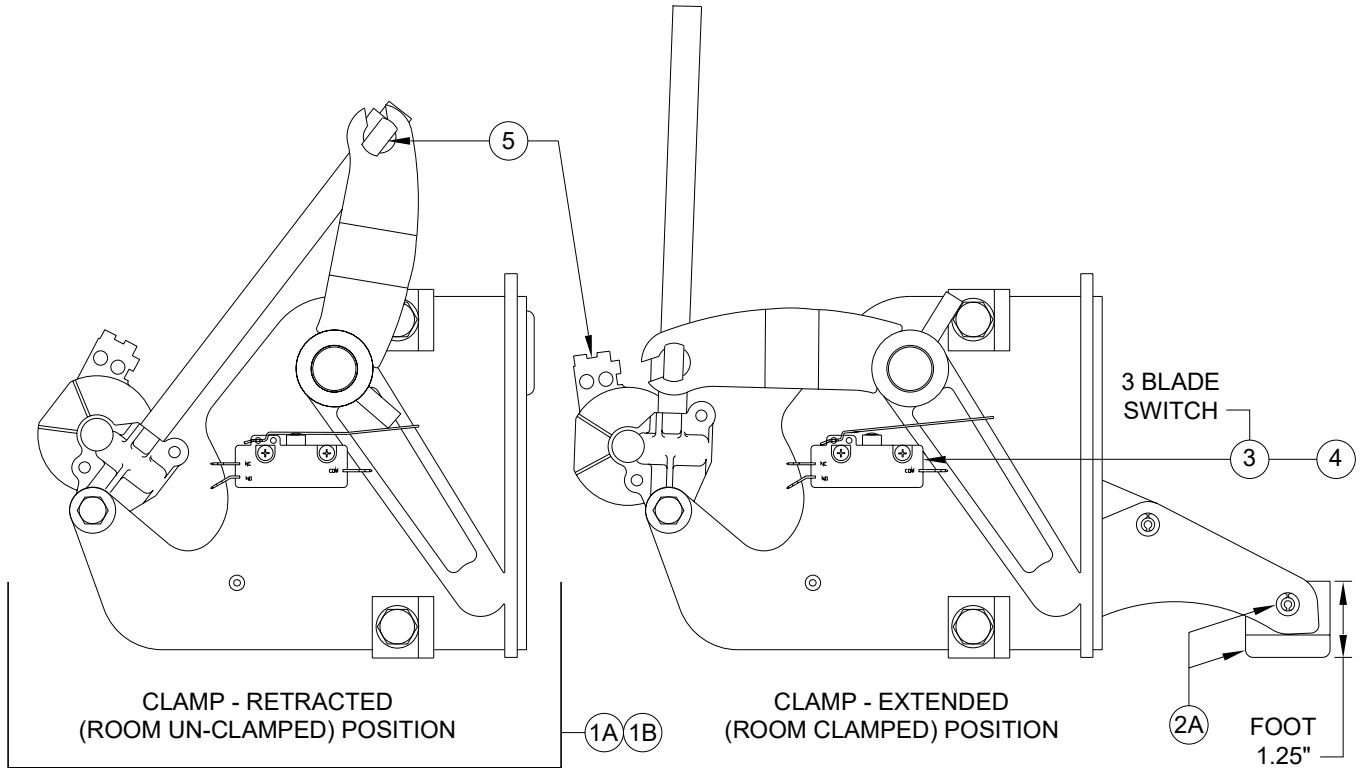


CLAMP, TRAVEL - FLEETWOOD

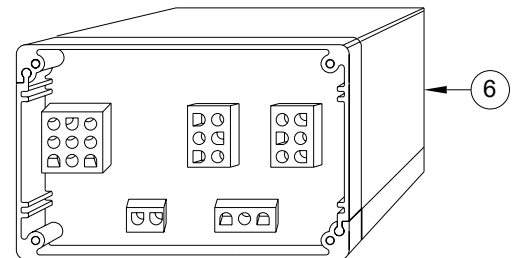
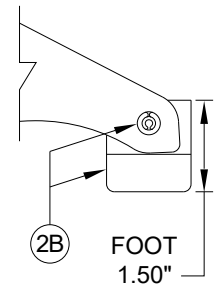
FOR SYSTEMS USING A ONE ROCKER SWITCH OPERATOR'S PANEL
TWO TRAVEL CLAMPS AND A SEQUENCE BOX
KEY IDENTIFICATION FEATURES - SEE DIAGRAM ITEMS 2 & 3

NOTE: RIGHT HAND CLAMP SHOWN ONLY



ITEM "1" IS FOR COMPLETE ASSY REPLACEMENT ONLY
REFER TO HWH PART LABEL FOR AP-ASSY NUMBER

ITEM	ORDER	QTY - DESCRIPTION
1A	RAP91622 - LH ASSY NARROW FOOT RAP91623 - RH ASSY NARROW FOOT	1 - CLAMP, TRAVEL - LH REPLACES AP32955 1 - CLAMP, TRAVEL - RH REPLACES AP32956
2A	RAP91625	1 - FOOT 1.25" X 1.375" 1 - ROLL PIN 3/8 X 0.75 1 - ROLL PIN 7/32 X 0.75
1B	RAP92057 - LH ASSY WIDE FOOT RAP92058 - RH ASSY WIDE FOOT	1 - CLAMP, TRAVEL - LH REPLACES AP39486 1 - CLAMP, TRAVEL - RH REPLACES AP39487
2B	RAP92059	1 - FOOT 1.50" X 1.375" 1 - ROLL PIN 3/8 X 0.75 1 - ROLL PIN 7/32 X 0.75
3	RAP91612	1 - SWITCH, 3 BLADE
4	RAP91652	1 - PIGTAIL, NOT SHOWN REPLACES AP29572
5	RAP91234	1 - GEAR MOTOR 1 - SADDLE, THREADED
6	RAP91650	1 - BOX, SEQUENCE REPLACES AP34567



SEQUENCE BOX

This manual has been provided courtesy of
My RV Works, Inc.

www.myrvworks.com



You can find more RV service manuals here:

www.myrvworks.com/manuals

Over the years of running a mobile RV repair service, having a dedicated place to access service manuals for all the different appliances and components found on RVs was something that I always had a desire to create.

I hope this resource makes your RV repairs easier, as it has mine, but please be careful and follow proper safety practices when attempting to repair your own RV.

If in doubt, please consult with a professional RV technician!



DARREN KOEPP - OWNER, MY RV WORKS, INC.

All service manuals provided on www.myrvworks.com are believed to be released for distribution and/or in the public domain.