

USA
SERVICE OFFICE
Dometic Corporation
2320 Industrial Parkway
Elkhart, IN 46516
574-294-2511

CANADA
Dometic Corporation
46 Zatonski, Unit 3
Brantford, ON N3T 5L8
CANADA
519-720-9578

**For Service Center
Assistance Call:**
800-544-4881



802XXXX SERIES

Fabric Roller Tube Assembly

802(XX)*(XX)**.400#*** POLAR WHITE
WEATHERSHIELD

- * Replace (XX) with Color Code from Chart on Page 2
- ** Replace (XX) with Awning Length (7 ft. – 22 ft.)
- *** Replace # with Color Code from Chart on Page 2

NOTE: Models ending with "401" are the same as those ending with "400" except the carton.

PARTS LIST

**MODEL
802XXXX
SERIES**

COLOR CHART

LETTER CODE	COLOR	LETTER CODE	COLOR
AB	Polar Emerald Frost	EV	Moss Transitional
AV	Polar Blue Horizon	FG	Race Flag
AW	Polar Burgundy Horizon	FK	Graphic Beige
AX	Polar Periwinkle Horizon	FM	Rodeo
BE	Polar Coffee	GP	Blue Steel
BV	Polar Blue Lavender	GQ	Canary Yellow
CU	Polar Evergreen	GR	Eggplant
DS	Graphic Blue	GS	Meadow Green
EA	Polar Fawn	GT	Blush
EH	Polar Pewter	GU	Bamboo
ET	Polar Navy Taupe	GV	Bark
		GW	Flint

COLORS ARE SUBJECT TO CHANGE WITHOUT NOTICE.

SPECIFICATIONS

MODEL	LENGTH
802XX07.400#	7'
802XX44.090#	7'6"
802XX08.400#	8'
802XX09.400#	9'
802XX10.400#	10'
802XX44.125#	10' 6"
802XX11.400#	11'
802XX44.138#	11' 6"
802XX12.400#	12'
802XX44.147#	12' 3"
802XX13.400#	13'
802XX44.161#	13' 6"
802XX14.400#	14'
802XX44.174#	14' 6"
802XX44.177#	14' 9"
802XX15.400#	15'
802XX16.400#	16'
802XX44.198#	16' 6"
802XX17.400#	17'
802XX44.210#	17' 6"
802XX18.400#	18'
802XX44.222#	18' 6"
802XX19.400#	19'
802XX20.400#	20'
802XX44.246#	20' 6"
802XX21.400#	21'
802XX22.400#	22'

MODEL	Sunchaser
Fabric	Vinyl
Projection	8'

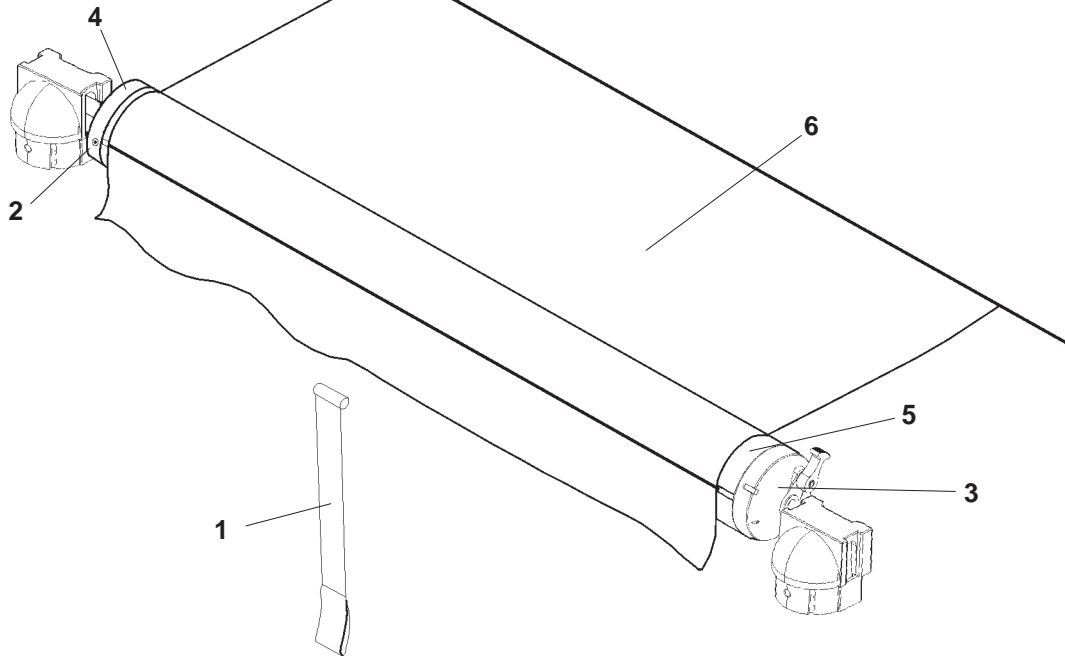
TORQUE SPECIFICATIONS	
AWNING LENGTH (FT.)	NUMBER OF TURNS ***
7' thru 12' 3"	5
13" thru 14'	6
14' 6" thru 16' 6"	7
17' thru 18' 6"	9
19' thru 22'	10

*** ADD 6 ADDITIONAL TURNS TO TORSION SPRINGS WHEN AWNING IS FULLY EXTENDED.

Replace # in part number with: B = Polar White H = Mende R = Champagne S = Satin U = Black V = Gold

Replace XX with letter code for the awning color from the color chart.

SUNCHASER II MODEL FRTA



Index #	Part #	Description	Index #	Part #	Description
1	3109799.051	Strap, Pull 90.5"	6	R3105699(XX).072	Fabric Asm 7"
2	308171.006	Pop rivet (4req.)		R3105699(XX).601	Fabric Asm 7' 6"
3	3309931.008#	Torsion Asm. Right-hand		R3105699(XX).080	Fabric Asm 8'
4	3309931.016#	Torsion Asm. Left-hand		R3105699(XX).098	Fabric Asm 9'
5	3108346.007	7" roller tube, boxed, aluminum		R3105699(XX).106	Fabric Asm 10'
	3108346.092	7' 6" roller tube, boxed, aluminum		R3105699(XX).627	Fabric Asm 10' 6"
	3108346.008	8' roller tube, boxed, aluminum		R3105699(XX).114	Fabric Asm 11'
	3108346.009	9' roller tube, boxed, aluminum		R3105699(XX).502	Fabric Asm 11' 6"
	3108346.010	10' roller tube, boxed, aluminum		R3105699(XX).122	Fabric Asm 12'
	3108346.126	10' 6" roller tube, boxed aluminum		R3105699(XX).544	Fabric Asm 12' 3"
	3108346.011	11' roller tube, boxed, aluminum		R3105699(XX).130	Fabric Asm 13'
	3108346.138	11' 6" roller tube, boxed, aluminum		R3105699(XX).536	Fabric Asm 13' 6"
	3108346.012	12' roller tube, boxed, aluminum		R3105699(XX).148	Fabric Asm 14'
	3108346.147	12' 3" roller tube, boxed, aluminum		R3105699(XX).510	Fabric Asm 14' 6"
	3108346.013	13' roller tube, boxed, aluminum		R3105699(XX).551	Fabric Asm 14' 9"
	3108346.161	13' 6" roller tube, boxed, aluminum		R3105699(XX).155	Fabric Asm 15'
	3108346.014	14' roller tube, boxed, aluminum		R3105699(XX).163	Fabric Asm 16'
	3108346.174	14' 6" roller tube, boxed, aluminum		R3105699(XX).619	Fabric Asm 16' 6"
	3108346.279	14' 9" roller tube, boxed, aluminum		R3105699(XX).171	Fabric Asm 17'
	3108346.015	15' roller tube, boxed, aluminum		R3105699(XX).528	Fabric Asm 17' 6"
	3108346.016	16' roller tube, boxed, aluminum		R3105699(XX).189	Fabric Asm 18'
	3108346.198	16' 6" roller tube, boxed, aluminum		R3105699(XX).585	Fabric Asm 18' 6"
	3108346.017	17' roller tube, boxed, aluminum		R3105699(XX).197	Fabric Asm 19'
	3108346.210	17' 6" roller tube, boxed, aluminum		R3105699(XX).205	Fabric Asm 20'
	3108346.018	18' roller tube, boxed, aluminum		R3105699(XX).593	Fabric Asm 20' 6"
	3108346.222	18' 6" roller tube, boxed, aluminum		R3105699(XX).213	Fabric Asm 21'
	3108346.019	19' roller tube, boxed, aluminum		R3105699(XX).221	Fabric Asm 22'
	3108346.020	20' roller tube, boxed, aluminum			
	3108346.246	20' 6" roller tube, boxed, aluminum			
	3108346.021	21' roller tube, boxed, aluminum			
	3108346.022	22' roller tube, boxed, aluminum			

Replace (XX) with Letter Code from Chart on Page 2.

NOTE: The replacement fabrics are rolled and shipped in tubes. For box fabric, replace the letter "R" with the letter "B".

SHELF-LIFE FOR BOXED FABRIC IS TEN DAYS.

This manual has been provided courtesy of
My RV Works, Inc.

www.myrvworks.com



You can find more RV service manuals here:

www.myrvworks.com/manuals

Over the years of running a mobile RV repair service, having a dedicated place to access service manuals for all the different appliances and components found on RVs was something that I always had a desire to create.

I hope this resource makes your RV repairs easier, as it has mine, but please be careful and follow proper safety practices when attempting to repair your own RV.

If in doubt, please consult with a professional RV technician!



DARREN KOEPP - OWNER, MY RV WORKS, INC.

All service manuals provided on www.myrvworks.com are believed to be released for distribution and/or in the public domain.