

RECORD THIS INFORMATION FOR FUTURE REFERENCE BEFORE INSTALLING THE UNIT:

Model Number _____
Serial Number _____
Date Purchased _____
Place of Purchase _____

8275000 Series Sunchaser II 8485000 Series Universal Plus Hardware

USA
SERVICE OFFICE
Dometic Corporation
2320 Industrial Parkway
Elkhart, IN 46516
574-294-2511

CANADA
Dometic Corporation
46 Zatonski, Unit 3
Brantford, ON N3T 5L8
CANADA
519-720-9578

For Service Center Assistance Call:
800-544-4881



**8500 PLUS
9000 PLUS
SUNCHASER II
FRTA**

FABRIC ROLLER TUBE ASSEMBLY

⚠ WARNING

This manual must be read and understood before installation, adjustment, service, or maintenance is performed. This unit must be installed by a qualified service technician. Modification of this product can be extremely hazardous and could result in personal injury or property damage.

⚠ AVERTISSEMENT

Lire et comprendre ce manuel avant de procéder à l'installation, à des réglages, de l'entretien ou des réparations. L'installation de cet appareil doit être effectuée par un réparateur qualifié. Toute modification de cet appareil peut être extrêmement dangereuse et entraîner des blessures ou dommages matériels.

INSTALLATION INSTRUCTIONS

8275000 & 8485000 SERIES HARDWARE

REVISION
Form No. 3309802.027 8/06
(Replaces 3309802.019)
(French 3309803.025)
©2006 Dometic Corporation
LaGrange, IN 46761

**Important: Instructions must stay with unit.
Owner read carefully**

SAFETY INSTRUCTIONS

This manual has safety information and instructions to help users eliminate or reduce the risk of accidents and injuries.

RECOGNIZE SAFETY INFORMATION



This is the safety-alert symbol. When you see this symbol in this manual, be alert to the potential for personal injury.

Follow recommended precautions and safe operating instructions.

UNDERSTAND SIGNAL WORDS

A signal word, **WARNING** OR **CAUTION** is used with the safety-alert symbol. They give the level of risk for potential injury.

⚠ WARNING indicates a potentially hazardous situation which, if not avoided, could result in death or serious injury.

⚠ CAUTION indicates a potentially hazardous situation which, if not avoided, may result in minor or moderate injury.

CAUTION used without the safety alert symbol indicates, a potentially hazardous situation which, if not avoided, may result in property damage.

Read and follow all safety information and instructions.

SPECIFICATIONS:

| MODEL SERIES | 8485000.401# 8275000.401# | 8485000.402# 8275000.402# | 8485000.405# 8275000.405# | 8485000.407# 8275000.407# | **8485000.408# **8275000.408# |
|-------------------------|------------------------------|------------------------------|------------------------------|------------------------------|-----------------------------------|
| Height Range | 76" - 86" | 64" - 76" | 78" - 91" | 94" - 107" | Short 64" - 76" Tall 76" - 86" |
| Main Arm Length | 73" | 61" | 76" | 92" | Short 61" Tall 73" |
| Adjustable Arm Length | 57" | 57" | 72" | 72" | Short 57" Tall 57" |
| Main Rafter Length | 66" | 54" | 71" | 71" | Short 54" Tall 66" |
| Secondary Rafter Length | 32.5" | 44.5" | 53.5" | 53.5" | Short 44.5" Tall 32.5" |
| Duty* | Standard | Standard | Standard | Standard | Standard |

| MODEL SERIES | 8485000.501# | 8485000.502# | 8485000.507# |
|-------------------------|--------------|--------------|--------------|
| Height Range | 76" - 86" | 64" - 76" | 94" - 107" |
| Main Arm Length | 73" | 61" | 92" |
| Adjustable Arm Length | 57" | 57" | 72" |
| Main Rafter Length | 66" | 54" | 71" |
| Secondary Rafter Length | 32.5" | 44.5" | 53.5" |
| Duty* | Heavy | Heavy | Heavy |

***Note:** Standard Duty is used with 8500 and 9000 Awnings 21' and below.
Heavy Duty is used with 8500 and 9000 Awnings 22' and above.

****Note:** Model 8485000.408# & 8275000.408# has one Short Arm and one Tall Arm. (8485000.408# Rain shed is in Tall Arm only.)

Replace # in part number with:

B = Polar White
H = Mende
R = Champagne
S = Satin
U = Black
V = Gold

INSTALLATION

COVERED BY ONE OR MORE OF THE FOLLOWING PATENTS: 4,188,964; 4,524,791; 5,351,736; 5,351,827; 5,383,346; 5,472,007; 5,516,244; 5,566,918; 5,924,465; 5,732,756; 5,944,085; 6,006,810; 6,098,693; D353,473; D366,763; D395,170; D428,266; D429,894; others pending.

A. APPLICATION

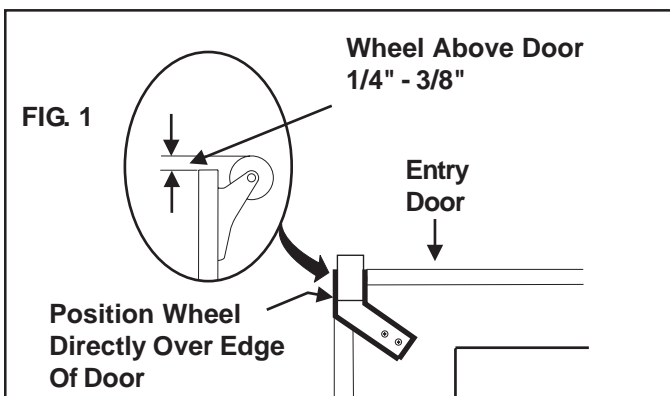
The standard A&E awning is designed and intended for use on motorhomes, mini-motorhomes, 5th wheels and travel trailers with straight sides. For curved sides, please see the separate Hardware List in the Dealer Service Manual for the appropriate model.

Important: Read and understand ALL of the following steps before beginning installation.

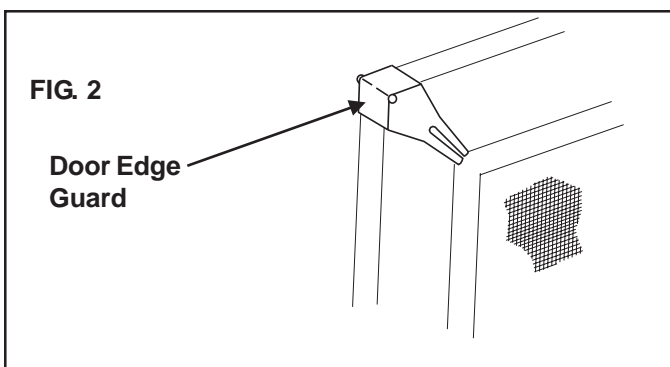
Dometic Corporation reserves the right to modify appearances and specifications without notice.

A&E awnings can be installed by one person with brief help from two others. Use the following procedure to assure a properly installed, and properly functioning awning.

1. When the awning is mounted above a square corner entry door, a door roller and guard (NOT INCLUDED) must be installed per FIG. 1 and FIG. 2, to reduce the potential of damage to the fabric. Rounded doors may not require a door roller if the door will not damage the fabric.

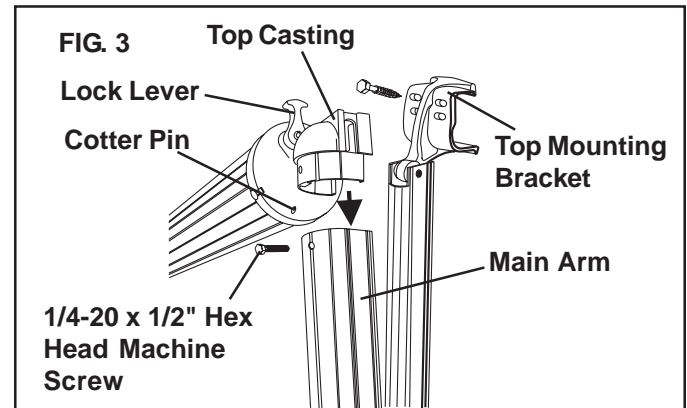


Note: If installing the awning over a square door the A&E (Single) Door Roller Kit is part number 830304 and a carton of 50 is 830304.003.

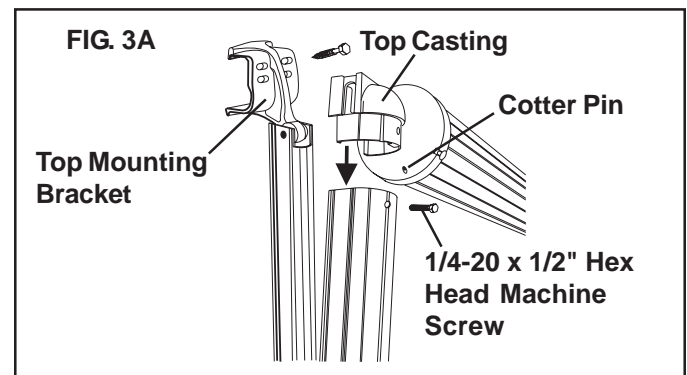


Important: The 8485000 Series hardware is manufactured with the Rain Shed Feature (an adjustable arm designed to automatically lower to the water shed position). This arm can be placed on either the Right or Left end of the Fabric Roller Tube Assembly (FRTA); however, it is recommended that it is placed on the end the farthest away from the door.

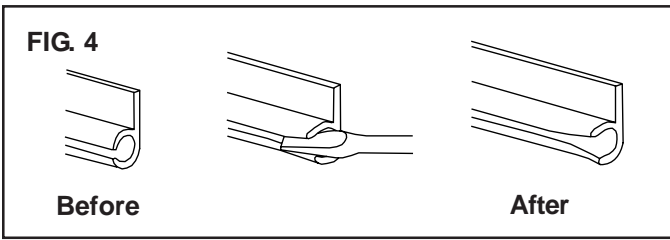
2. Carefully lay the fabric roller tube assembly on "V" troughs or other well protected surface to prevent fabric damage. Secure arm assemblies to the respective top castings using 1/4-20 x 1/2" hex. head machine screws and 1/4" lock washers. See FIG. 3.



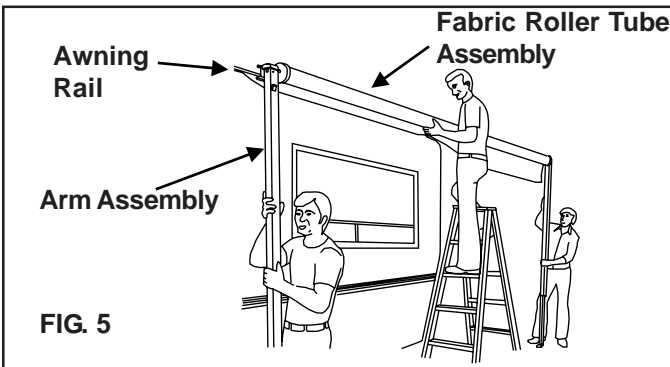
3. After attaching both arms, rotate the Safe-T-Lock™ lever to the roll down position. Straighten, remove and discard left cotter pin only. See FIG. 3A.



4. Remove the rafter assemblies from the hardware and store in a place for re-installation after Step 7. This will reduce the opportunity for the rafters to become unlatched and scratch the vehicle during installation.
5. Prepare the awning rail to accept the awning roller cover. Select the end from which the awning shall be fed, then widen that end of the rail with a flat screwdriver and file off any sharp edges. Unwind fabric one revolution before feeding awning fabric into awning rail. This will allow enough space between side wall and awning hardware to feed fabric into awning rail. See FIG. 4.

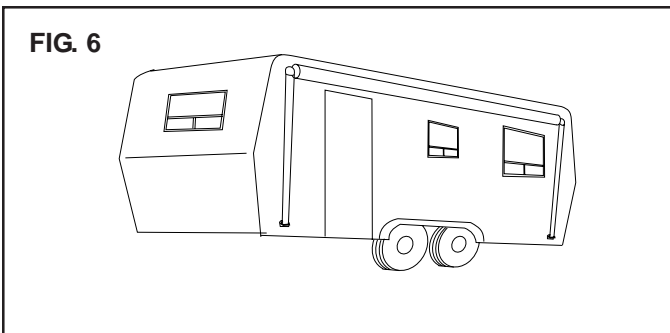


- With one person grasping each support arm, carefully lift the entire assembly upright. Keep the two arm assemblies parallel to each other to avoid damage due to twisting. Carry the awning to the prepared awning rail end. See FIG. 5.



Feed the awning into the awning rail while standing on a stepladder, (third person) while two carry the awning assembly to the desired position.

- Install Top Brackets.
After the complete awning assembly has been threaded into the awning rail, check to be sure that its position allows for solid mounting of the top and bottom brackets and that support arms are in desired location (not restricting use of doors, access doors, windows, etc.). See FIG. 6
Reinstall rafter assemblies into the hardware.

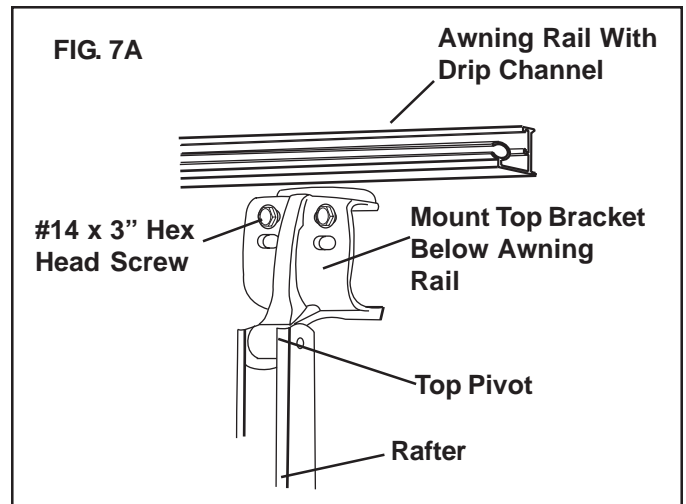
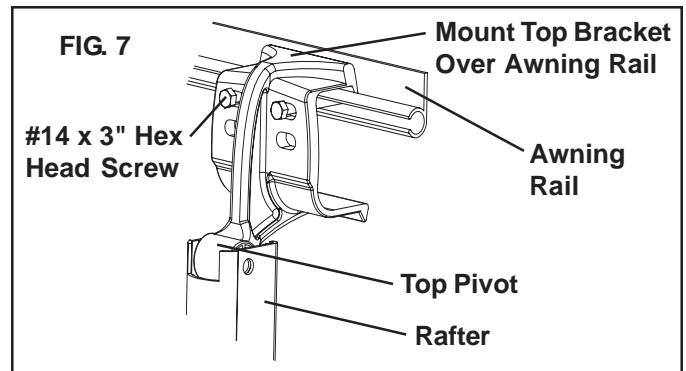


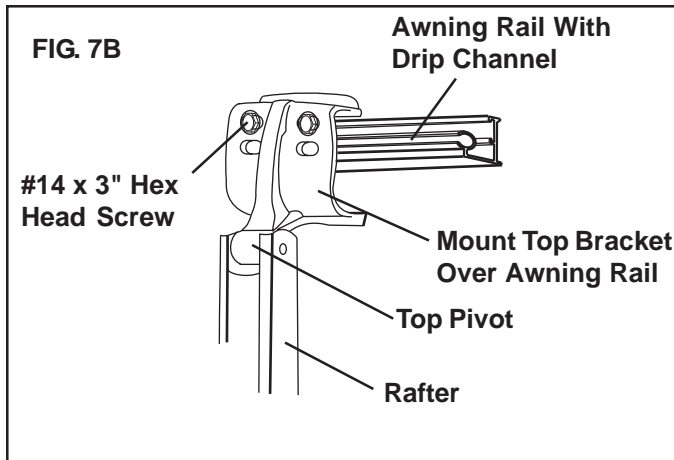
The top mounting bracket can be placed in several different positions in relationship with the awning rail. Some awning rails have a drip channel to catch water as it runs off the roof and drain it to the front or rear of the coach.

Find a solid structure in the coach wall to anchor the #14 X 3" hex head screw. The relationship of the solid structure with the awning rail will determine the position of the top mounting brackets. The top mounting bracket can be placed over, on or under the awning rail as shown in FIG. 7, 7A, & 7B. If the top mounting bracket cannot touch the side of the coach because the awning rail is too wide, a stand off is available. This will allow the top bracket to clear the wider awning rail. Part number for the (one) stand off is 3109623.003 and 50 count package 3109623.550

Important: If top bracket must be mounted over top rail as shown in Figure 7B, care should be taken to note radius roof construction. If radius cap molding is rubber, there could be the possibility for water leaks if top bracket is fastened against the rubber molding. In those applications, it is recommended that the top leg of the bracket be fastened against the awning rail flange as shown in FIG. 7.

Note: Top rafter bracket assembly is independent of the main support arm assembly.





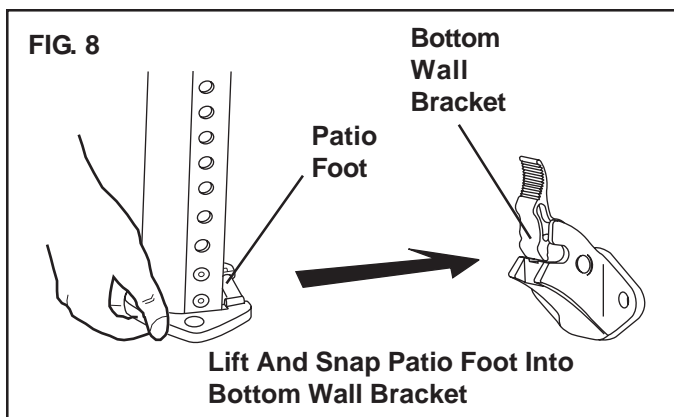
CAUTION

After the top bracket has been mounted, do not pull the bottom of the arm assembly away from the side of the vehicle, with the Safe-T-Lock™ in the roll-up position. Damage to the torsion lock can occur, which may cause the torsion to malfunction.

Align top bracket directly behind and centered with the main support arm.

Lift the arm handle (releasing lock button) and CAREFULLY extend the inner arm to the ground to support the awning.

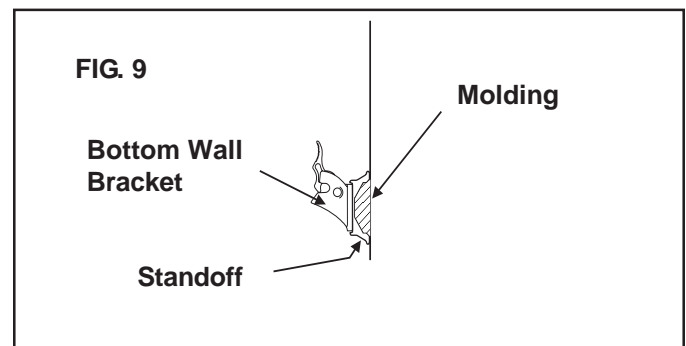
Pull the main support arm away from the top bracket and rafter. Mark the top bracket position and predrill the two 3/16" diameter holes (drill 7/32" diameter if into steel). Install top bracket with two #14 X 3" hex. head screws. See FIGS. 7, 7A, & 7B. Apply silicone sealant to screw threads and where the screws enter the coach. Place main support arm on the top pivot. Repeat for the other side.



7. Install Bottom Brackets. Snap the patio foot on the bottom of the inner arm into the bottom bracket. See FIG. 8. Insure the arm top casting is resting on the top pivot. Lift the main arm handle and slide the inner arm up to the desired mounting position. Select the best supporting structure, i.e. mount directly into the floor line, molding, etc.

Mark position of bottom bracket holes. Predrill two 3/16" diameter holes through the marked locations. (Drill 7/32" diameter hole if into steel). Apply silicone sealant to screw threads and where the screws enter the coach. Secure the bottom bracket to the coach using #14 hex head screws. See FIG. 8. Repeat for other side.

Note: If installing over a molding, A&E Standoff Kit 3104781.004 must be used. See FIG. 9.



CAUTION

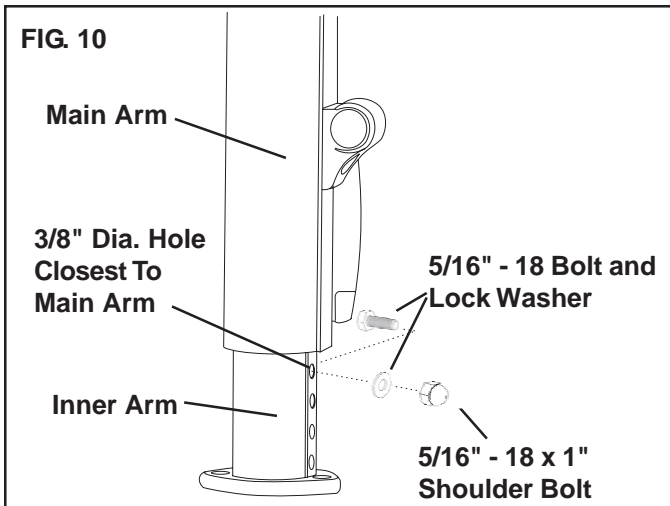
This step is essential for the proper functioning of all A&E Awnings.

8. Install Stop Bolt or Clip.
 - a. 8275000 Standard Arm (Go to step "b" if installing 8485000 model.)

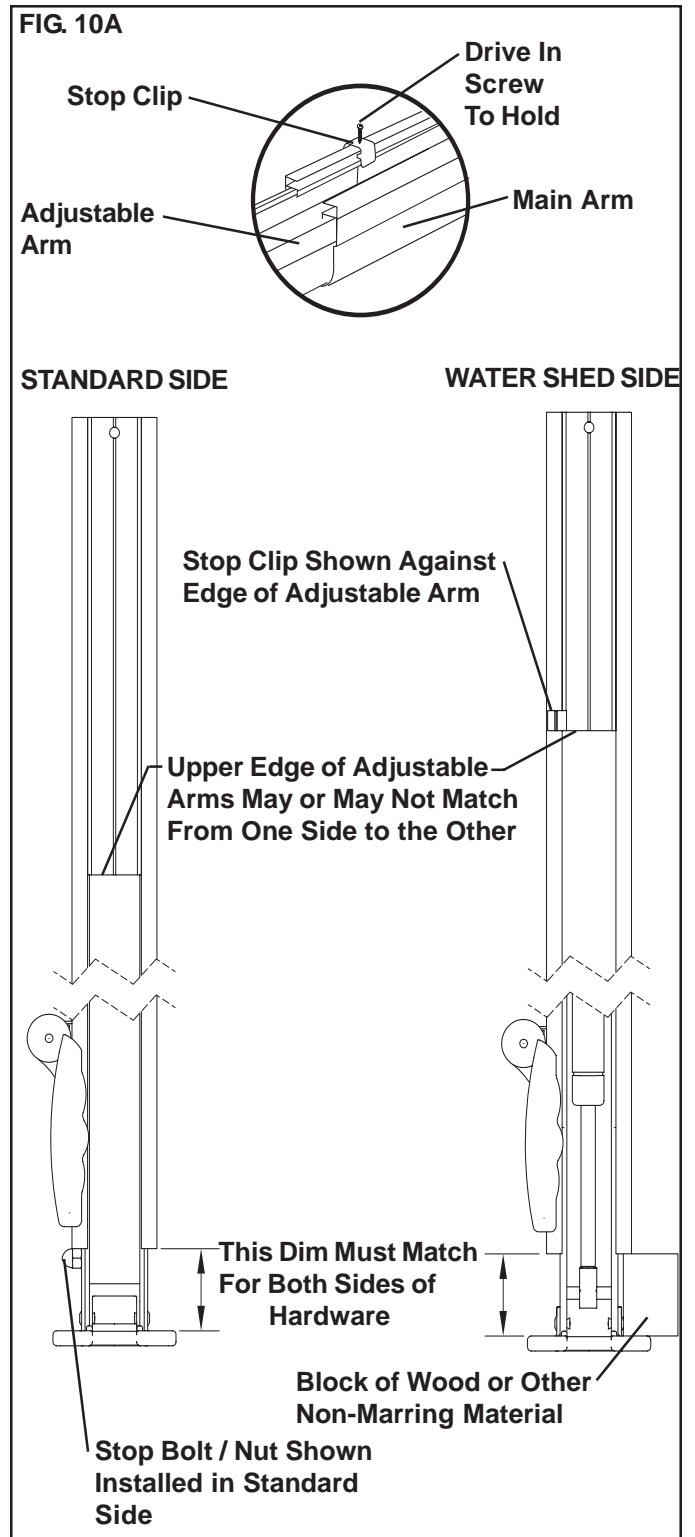
Using the lift handle, **RAISE THE MAIN ARM UP BY ONE HOLE ONLY.**

Install the 5/16-18 x .50" bolt inside the inner arm, through the hole closest to the bottom of the main arm. Secure with a 5/16"-18 lock washer and acorn nut. See FIG. 10. Repeat step "a." on opposite side.

THE MAIN SUPPORT ARM SHOULD NOW CLEAR THE TOP PIVOT BY 1/2" WHEN THE AWNING CLOSES. SEE FIGS. 7, 7A, & 7B.



- b. The model 8485000 hardware has the water dump feature. The stop is a slide attached to the main arm with a #6-20 x .44" screw. It performs the same function as the stop bolt mentioned in "8a". Position the arm as directed in step "a". Slide stop clip down the main arm until it rests on top of the adjustable arm. Using a pencil, draw a line on the hardware for the slider stop location. Open the awning and drive the #6-20 x .44" self drilling screw through the hole in the clip and the hardware. Install the clip on both main arms.
- c. If the water shed adjustable arm is telescoped so far into the main arm that the lift handle does not engage the adjustable arm, it may be necessary to prop the main arm so that the distance between its lower edge to the bottom foot is consistent with the non-water shed (standard) side. A block of wood or any other non-marring material may be used to maintain the proper distance until the stop clip is secured using the #6-20 x .44" self-drilling screw as described in Step "b". See Figure 10A.
9. Release Preset Tension.
Check to see if the Safe-T-Lock™ lever is in the roll down position. Remove right cotter pin that is holding factory preset tension. The cotter pin is found in the roller tube end cap. See FIG. 11. For easier removal, twist the roller tube as if unrolling awning by pulling the bottom of the tube toward yourself while pulling on cotter pin. Discard pin.

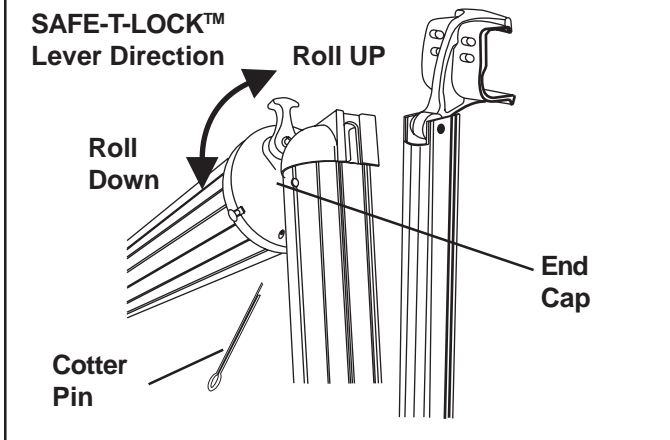


⚠ WARNING

When cotter pins are removed from the torsion, spring tension, will attempt to close the awning. Keep body clear of hardware and roller tube.

While holding the pull strap, move the Safe-T-Lock™ lever to the roll up position. The awning should now roll up snugly against the vehicle side. See FIG. 11.

FIG. 11

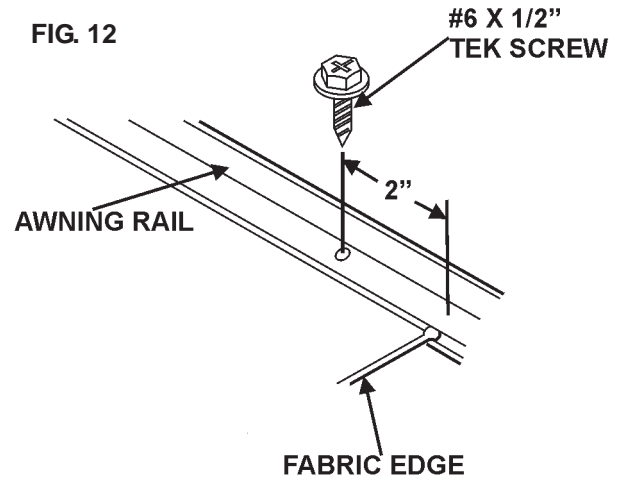


10. Secure Awning to Awning Rail. Open and close awning a few times to allow for natural self adjustment of awning. Insure the arms are still positioned directly in front of the top brackets. Secure by installing a #6 x 1/2" Tek screw on each end. See FIG. 12. Model 8485000 requires the stop to be installed in the water dump arm, while awning is open. See FIG. 10A.

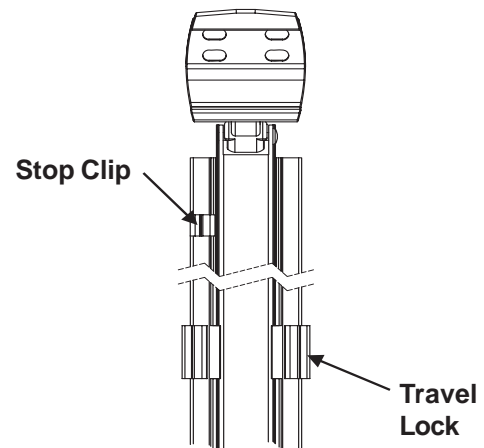
11. Operate awning according to the Operating Instructions to check that all parts function properly.

12. Secure Awning for Travel. For added security and rattle-free travel, tighten rafter knobs, secure travel latches and insure torsion lock is in the roll up position. See FIGS. 11 & 13.

FIG. 12



Squeeze
Travel
Lock



This manual has been provided courtesy of
My RV Works, Inc.

www.myrvworks.com



You can find more RV service manuals here:

www.myrvworks.com/manuals

Over the years of running a mobile RV repair service, having a dedicated place to access service manuals for all the different appliances and components found on RVs was something that I always had a desire to create.

I hope this resource makes your RV repairs easier, as it has mine, but please be careful and follow proper safety practices when attempting to repair your own RV.

If in doubt, please consult with a professional RV technician!



DARREN KOEPP - OWNER, MY RV WORKS, INC.

All service manuals provided on www.myrvworks.com are believed to be released for distribution and/or in the public domain.