



**RV**

SIDE-OUT COVER FOR LONG ROOM APPLICATIONS

**INSTALLATION INSTRUCTIONS USING THE HIDDEN BRACKETS.**

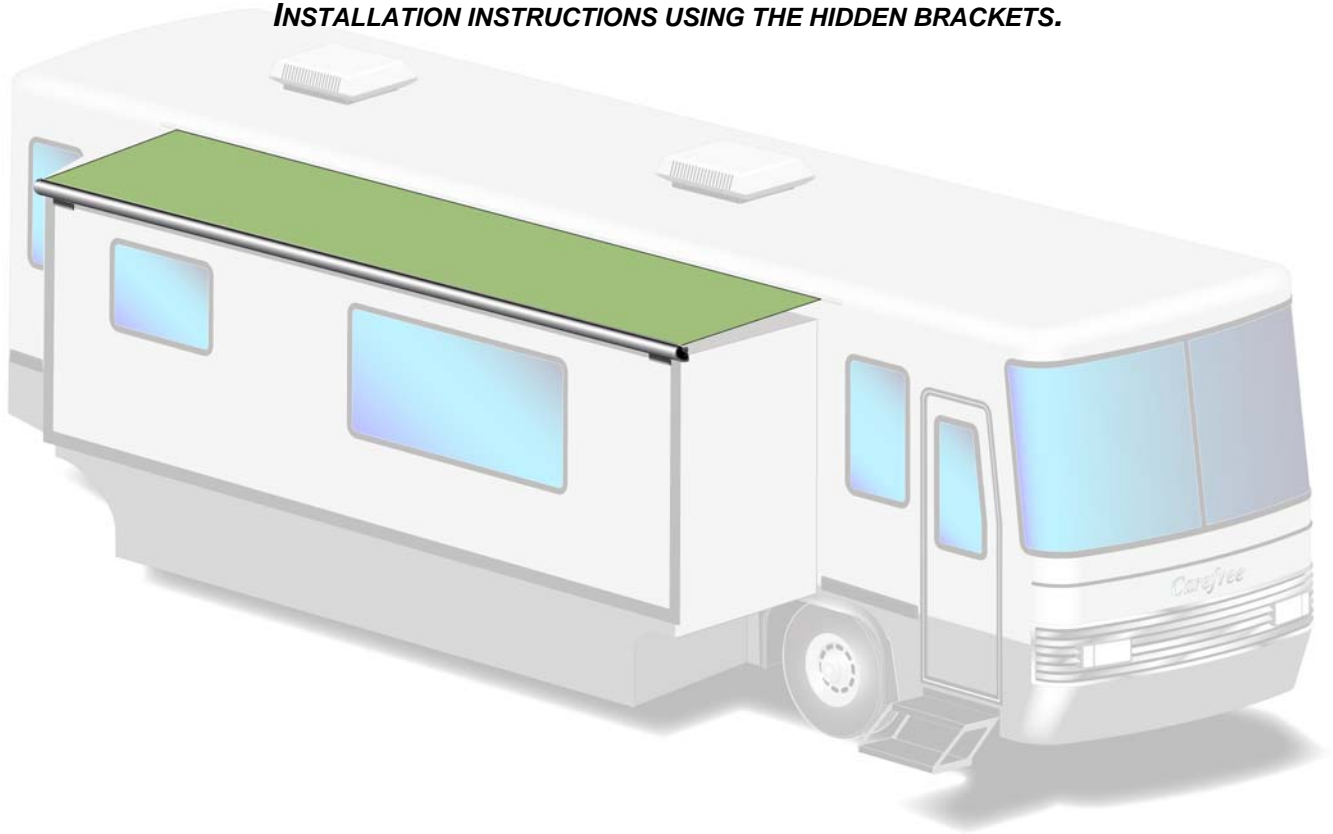


TABLE OF CONTENTS

**Component Checklist..... 1**

**Installation ..... 2**

    Setting the Deflector Mounting Brackets .....2

    Mounting the Deflector Assembly .....3

    Installing the Roller Tube Assembly .....4

    Attaching the Front Cover.....5

        Cover Bumpers .....5

**Owner Information ..... A**

    Maintenance ..... A

    Fabric Care..... A

        Mildew ..... A

    Carefree Major Product Limited Warranty ..... B

## PROPRIETARY STATEMENT

The SOKIII Slide-Out Cover is a product of Carefree of Colorado, located in Broomfield, Colorado, USA. The information contained in or disclosed in this document is considered proprietary to Carefree of Colorado. Every effort has been made to ensure that the information presented in the document is accurate and complete. However, Carefree of Colorado assumes no liability for errors or for any damages that result from the use of this document.

The information contained in this manual pertains to the current configuration of the models listed on the title page. Earlier model configurations may differ from the information given. Carefree of Colorado reserves the right to cancel, change, alter or add any parts and assemblies, described in this manual, without prior notice.

Carefree of Colorado agrees to allow the reproduction of this document for use with Carefree of Colorado products only. Any other reproduction or translation of this document in whole or part is strictly prohibited without prior written approval from Carefree of Colorado.

## SAFETY INFORMATION

---

### WARNING

**A WARNING INDICATES A POTENTIALLY HAZARDOUS SITUATION WHICH, IF NOT AVOIDED, COULD RESULT IN DEATH OR SERIOUS INJURY AND/OR MAJOR PROPERTY DAMAGE.**

---

### CAUTION

**A CAUTION INDICATES A POTENTIALLY HAZARDOUS SITUATION THAT MAY CAUSE MINOR TO MODERATE PERSONAL INJURY AND/OR PROPERTY DAMAGE. IT MAY ALSO BE USED TO ALERT AGAINST UNSAFE PRACTICES.**

**NOTE: A note indicates further information about a product, part, or step.**

*Tip: A tip provides helpful suggestions.*

### Safety Notes:

- Always wear appropriate safety equipment (i.e. goggles).
- Always use appropriate lifting devices and/or helpers when lifting or holding heavy objects.
- When using fasteners, use care to not over tighten. Soft materials such as fiberglass and aluminum can be "stripped out" and lose the ability to grip.
-

COMPONENT CHECKLIST

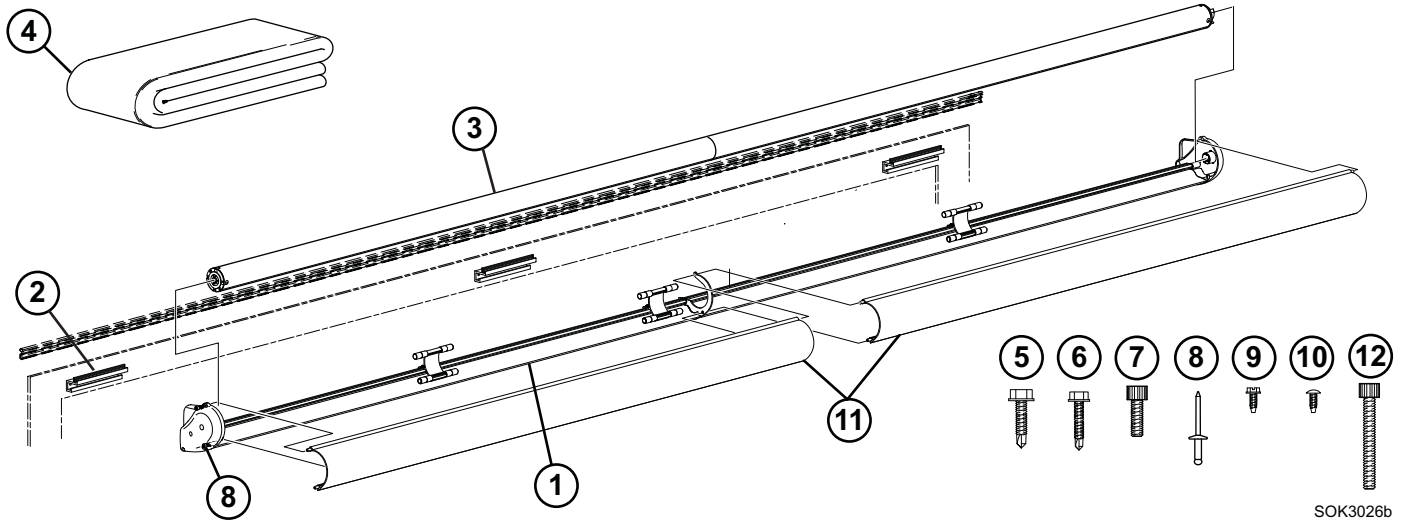


Figure 1. Component Checklist

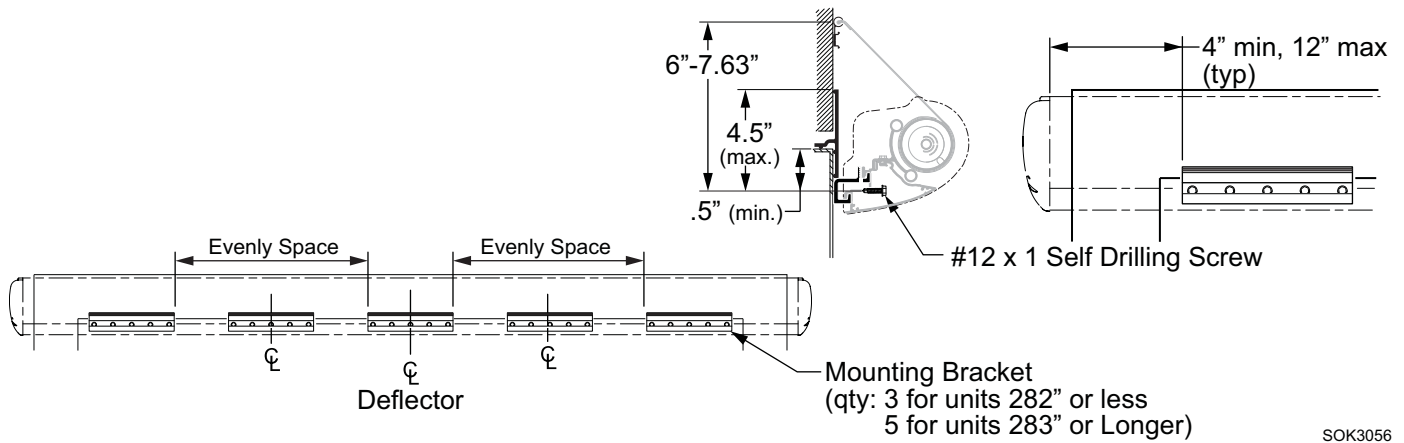
SOK3026b

<input checked="" type="checkbox"/>	ITEM	DESCRIPTION		QTY	NOTE
<input type="checkbox"/>	1	Deflector Assy		1	2
<input type="checkbox"/>	2	Bracket, Deflector, Hidden		3	3
<input type="checkbox"/>	3	Roller Tube Assy		1	2
<input type="checkbox"/>	4	Fabric		1	
<input type="checkbox"/>	5	Screw, Self Drilling, HWH	#12 x 1	15	
<input type="checkbox"/>	6	Screw, Self Drilling, HWH	#10 x 1	6	
<input type="checkbox"/>	7	Screw, Socket Head	1/4-20 x 3/4	1	
<input type="checkbox"/>	8	Pop Rivet	3/16	4	
<input type="checkbox"/>	9	Screw, Self Tapping, HWH	#6 x 3/8	2	
<input type="checkbox"/>	10	Screw, Phillips Head	#6 x 3/8	2	
<input type="checkbox"/>	11	Front Cover Assy		1	2
<input type="checkbox"/>	12	Screw, Socket Head (2 screws are shipped installed in end caps)	1/4-20 x 1 1/2	4	

- Notes:
1. Specific configurations are specified at time of order, including awning length, fabric, color etc. Check awning assembly against original purchase order.
  2. Deflector assy (item 1), Roller Tube assy (item 4), and Front Cover assy (item 14) are shipped in two sections and assembled during installation.
  3. For rooms 283" or longer, quantity of brackets (items 2) is 5.

# INSTALLATION

## SETTING THE DEFLECTOR MOUNTING BRACKETS



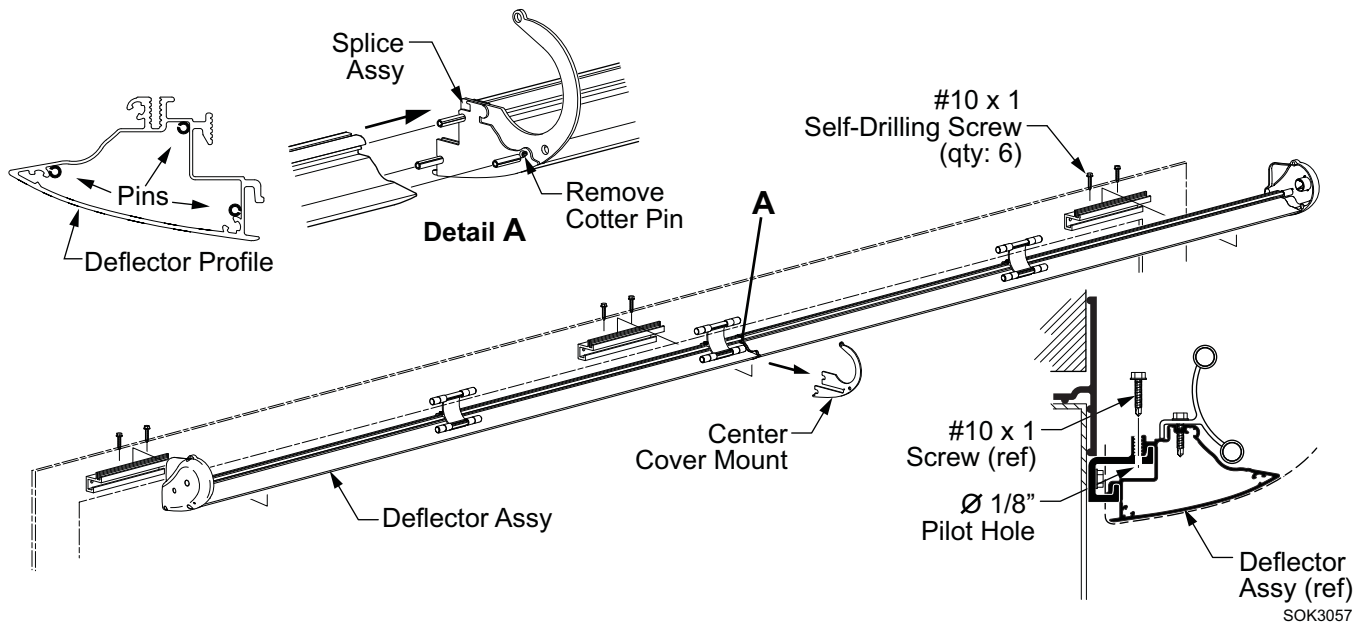
**Figure 2. Setting the Deflector Brackets.**

1. Vertically position the deflector brackets on the room face using the dimensions shown above. Dimensions are from the centerline of the bracket mounting screws.
 

**NOTE: The screws of the brackets must not be centered more than 4.5" below the top of the flange or less than .5" from the top of the room**
2. Horizontally position the brackets as shown. The center bracket must be positioned so that the center splice of the deflector will rest near the center of the bracket. For units with 5 brackets; the middle brackets may be adjusted  $\pm 12"$  to avoid vents or other projections.
3. Attach the brackets.
  - Using a quality silicone sealant, coat the mounting surface of the bracket with particular attention around the mounting holes.
  - Use #12 x 1 self-drilling screws. (5 per bracket).

## MOUNTING THE DEFLECTOR ASSEMBLY

The deflector is shipped in two sections. The RH section has the RH end cap and the center splice assembly. The LH section has the LH end cap only.



**Figure 3. Mounting the Deflector Assembly.**

1. Lift the RH deflector assembly up and onto the mounting brackets. The deflector hooks into the brackets.
2. Horizontally align the center splice assembly with the centerline of the room. This should coincide with the center line of the center mounting bracket.
3. In the screw groove formed between the RH bracket and deflector, drill a 1/8" pilot hole through the bottom of the bracket in the screw groove. Secure the assembly to the bracket using two (2) #10 x 1 self drilling screws. If the deflector moves during drilling, complete the drilling operation then realign the deflector. Do not attach the deflector to the center bracket at this time.
4. From the splice assembly, remove the cotter pin and the center cover mount. Set both components aside to reinstall later.

**NOTE: The cover mount is not installed if the optional cover is not to be installed.**

5. Lift the LH section of the deflector up and onto the brackets.
6. Align the LH section with the RH section and press the LH section onto the split pins of the splice assembly.

*Tip: The split pins are a tension fit. If necessary, remove the LH end cap and set aside. Use a rubber mallet and tap the LH section onto the pins. Use care to not bend or distort the deflector. When the inner end is tight against the splice assembly, reattach the end cap.*

7. For the left and center brackets: In the screw groove formed between the bracket and deflector, drill a 1/8" pilot hole through the bottom of the bracket in the screw groove. Secure the assembly to the brackets using #10 x 1 self drilling screws (2 per bracket).

INSTALLING THE ROLLER TUBE ASSEMBLY

**NOTE:** Because of the length and weight of the rollbar and fabric, it will be necessary to have 3 people to install the rollbar; one person at each end, with the third person to support the center.

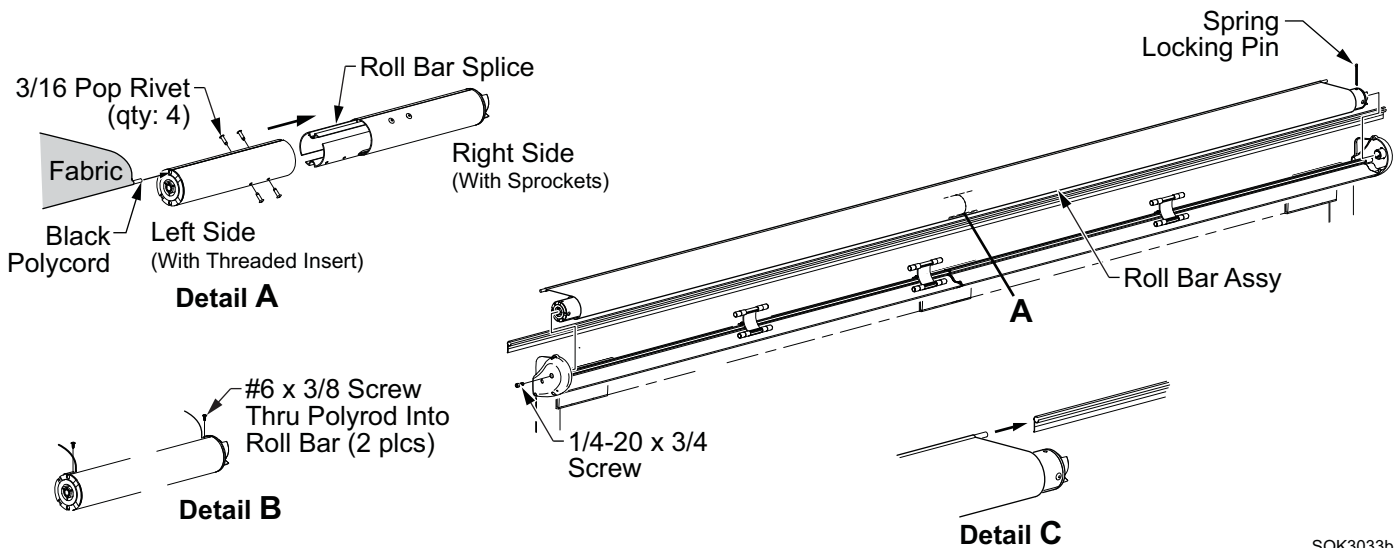


Figure 4. Installing the Roller Tube Assembly.

SOK3033b

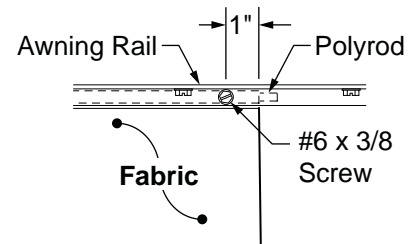
1. Close the room if open.
2. (Detail A) Slide the two Roller Tube halves together. The splice is a tension fit. It may be necessary to tap one end of the Roller Tube to press the two halves together. Align the predrilled rivet holes in the Roller Tube and splice.

**CAUTION**

**USE CARE TO NOT BEND OR DISTORT THE ROLLBAR. IF IT IS NECESSARY TO TAP THE END OF THE ROLLER TUBE, USE CARE TO NOT DAMAGE THE ENDCAP.**

3. Attach the Roller Tube half to the splice using four (4) 3/16" pop rivets.
 

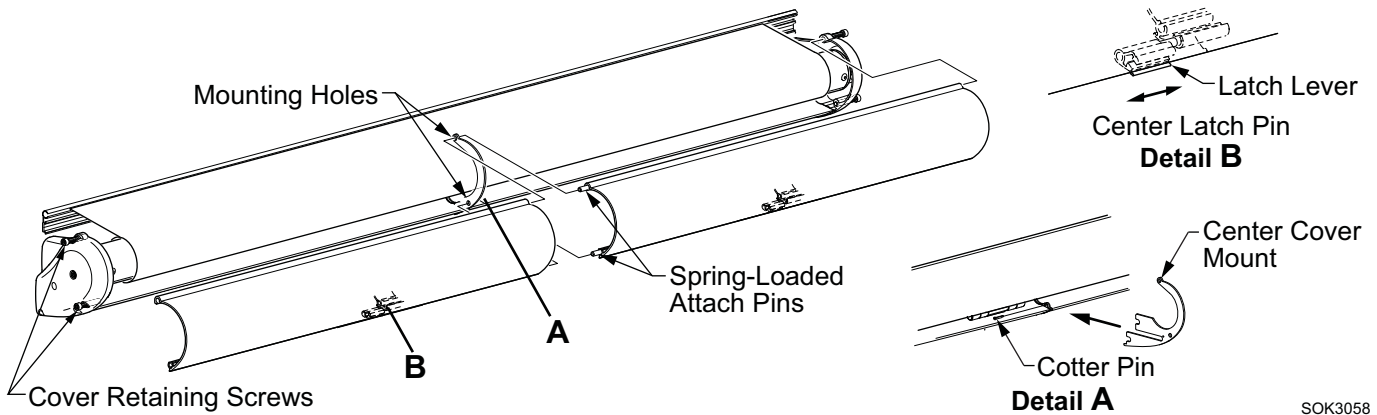
**NOTE:** If the rivets holes are slightly misaligned, use a #10 drill bit and ream the holes to allow the pop rivet to be pushed in.
4. Unfold the fabric and slide the edge of the fabric (edge with black polycord) into the rollbar. The fabric can only be inserted from the left side of the rollbar.
5. (Detail B) Center the fabric on the Roller Tube and secure using two (2) #6 x 3/8 phillips head screws through the polycord and rollbar. Do not put the screws through the fabric.
6. Roll the fabric onto the rollbar. The fabric must be oriented around the Roller Tube as shown.
7. (Detail C) Slide the white polyrod and fabric into the awning rail. Center the fabric over the room.
8. Roll up the slack material onto the Roller Tube.
9. Slide the right end of the Roller Tube into the right end cap then set the left end of the Roller Tube into the left end cap. Attach with one (1) 1/4-20 x 3/4 socket head screw through the left end cap.
10. Remove the spring locking pin from the Roller Tube. This is located on the right end of the Roller Tube.
11. Open and close the room to ensure that the fabric is rolling up straight on the rollbar.
12. Secure the fabric to the awning rail using two #6 x 3/8 screws through the adaptor and fabric.



SOK3034a

Figure 5. Securing the Fabric.

ATTACHING THE FRONT COVER



SOK3058

Figure 6. Attaching the Front Cover.

1. Insert the center cover mount into the deflector splice and around the rolled fabric. Secure with the cotter pin removed earlier.
2. Examine the two cover halves. One half has spring loaded attachment pins on one end, the second has none. Lift the first cover half with the pins and insert the pins through the mounting holes of the center cover support.
3. Align the cover with the end cap and screw the cover retaining 1/4-20 x 1 1/2 socket head screws through the end cap and into the cover. Hand-tighten only.

**NOTE: The bottom screw holes in the end caps are threaded at the factory. It will be necessary to force-thread the top holes in the end cap using the supplied screws.**

4. Lift the second cover half up and slide the inside end onto the protruding attach pins of the first cover.
5. Align the second cover with the end cap and screw the cover retaining screws through the end cap and into the cover. Hand-tighten only.
6. Locate the latch lever at the center of the covers. Using a screw driver or similar tool, push the lever to the left and hold; pres the cover into position then release the latch lever. The latching pin is spring loaded and will slide into the locking channel.

*Cover Bumpers*

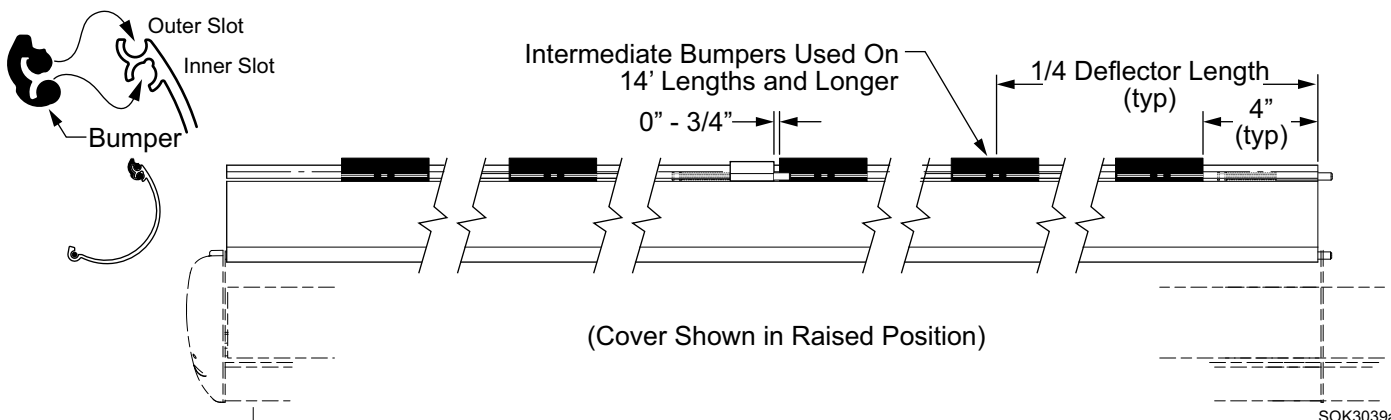
The SOKIII cover is shipped with bumpers to prevent rattling. Quantities are three (3) for units under 14' and five (5) for units 14' and longer.

To replace missing or damaged bumpers:

1. In the positions shown, fully press the first round section into the inner slot. This is the same slot that the latch springs are mounted in. Please note the orientation of the bumper.

*Tip: Press one end of the bumper into the slot. While holding the bumper in place, gently stretch the bumper. This will temporarily make the diameter smaller and easier to press into the slot.*

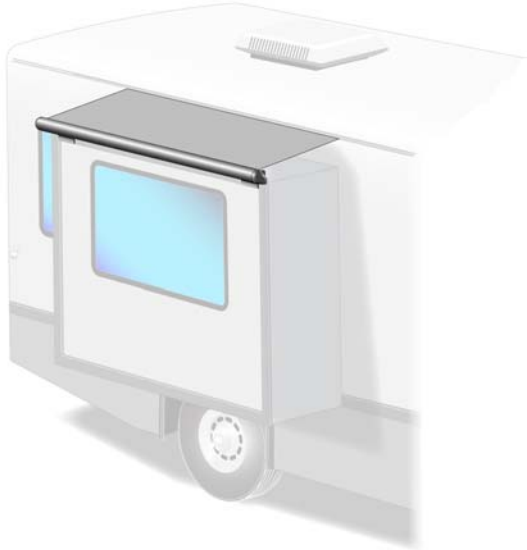
2. Stretch the bumper around and press the second round section into the outer slot.



SOK3039a



RV



- ***Automatically opens and closes with the room.***
- ***Shades the top of the room to help cool the interior.***
- ***The canopy helps protect the room from water, dirt and debris when the room is extended.***
- ***No anti-billow or locking devices required.***

## MAINTENANCE

Maintaining the Carefree Ascent is easy. Just follow these basic steps:

- Periodically check that the fasteners are tight. Tighten if necessary.
- Keep the awning fabric clean.

## FABRIC CARE

### **CAUTION**

**DO NOT USE OIL BASED CLEANERS OR ANY CAUSTIC, GRANULATED, OR ABRASIVE TYPE CLEANERS ON YOUR CAREFREE PRODUCT.**

1. One of the best ways to keep the fabric looking good and to delay the need for deep or vigorous cleanings is to hose fabrics off on a monthly basis with clear water. This practice will help prevent dirt from becoming deeply imbedded in the fabric. In most environments, a thorough cleaning is only required every two to three years.
2. When it's time for a thorough cleaning, the fabric can be cleaned while still on the coach.
  - For Vinyl Fabric – Use a soft brush and warm water with soap.
  - For Acrylic Fabric – Use a stiff brush and warm water with soap.
3. When cleaning the fabric, it is important to observe the following:
  - Always use a natural soap, never detergent.
  - Water should be cold to lukewarm, never more than 100°F.
  - Air-dry only. Never apply heat to the fabric.
  - Always allow the fabric to dry thoroughly before rolling up the awning.

### *Mildew*

Mildew is a fungus growth that looks like dirt. Vinyl coated polyester fabrics are mildew resistant because of a chemical biocide in the vinyl coating. Under ordinary conditions, mildew will not appear. However, in areas where high temperature and humidity are common, mildew can be a problem and required the material to be cleaned more frequently. Thoroughly rinse the fabric with clean water and allow to air dry completely before rolling up the fabric.



---

**CAREFREE MAJOR PRODUCT LIMITED WARRANTY**

Carefree of Colorado (hereafter referred to as Carefree) warrants to the first retail Purchaser that the Carefree Product is free of defects in material and workmanship within the terms and conditions as set forth in the warranty statement available online at [www.carefreeofcolorado.com](http://www.carefreeofcolorado.com). Carefree's obligation under this warranty is limited to the repair or replacement, at Carefree's option, of any defective component with new or factory refurbished components.

OWNER MUST RETAIN THE ORIGINAL PROOF OF PURCHASE AND/OR HAVE THE PRODUCT WARRANTY REGISTRATION ON FILE AT CAREFREE FOR WARRANTY CLAIMS.

THIS WARRANTY IS NOT TRANSFERABLE.

**For**

- **Warranty Duration;**
- **Warranty Coverage and Exclusions;**
- **Warranty Terms of Coverage; and,**
- **Warranty Claim Procedures**

Refer to publication  
052580-111 "Carefree Major Product Limited Warranty"  
available online at  
[www.carefreeofcolorado.com](http://www.carefreeofcolorado.com)

*Register your Carefree products on-line at [www.carefreeofcolorado.com](http://www.carefreeofcolorado.com)*

**IMPORTANT NOTICE:** It is strongly recommended that adjustments and repairs be performed by trained technicians at your Authorized Carefree Dealer. Work performed by non-authorized persons or businesses may void warranty.

This manual has been provided courtesy of  
My RV Works, Inc.

[www.myrvworks.com](http://www.myrvworks.com)



You can find more RV service manuals here:

[www.myrvworks.com/manuals](http://www.myrvworks.com/manuals)

Over the years of running a mobile RV repair service, having a dedicated place to access service manuals for all the different appliances and components found on RVs was something that I always had a desire to create.

I hope this resource makes your RV repairs easier, as it has mine, but please be careful and follow proper safety practices when attempting to repair your own RV.

If in doubt, please consult with a professional RV technician!



DARREN KOEPP - OWNER, MY RV WORKS, INC.

*All service manuals provided on [www.myrvworks.com](http://www.myrvworks.com) are believed to be released for distribution and/or in the public domain.*