



# PARTS LIST

## 600 Series

652BK	653BK
-------	-------

662BK	663BK
-------	-------

662BKIM	663BKIM
---------	---------

682BK	683BK
-------	-------

682BKIM	683BKIM
---------	---------

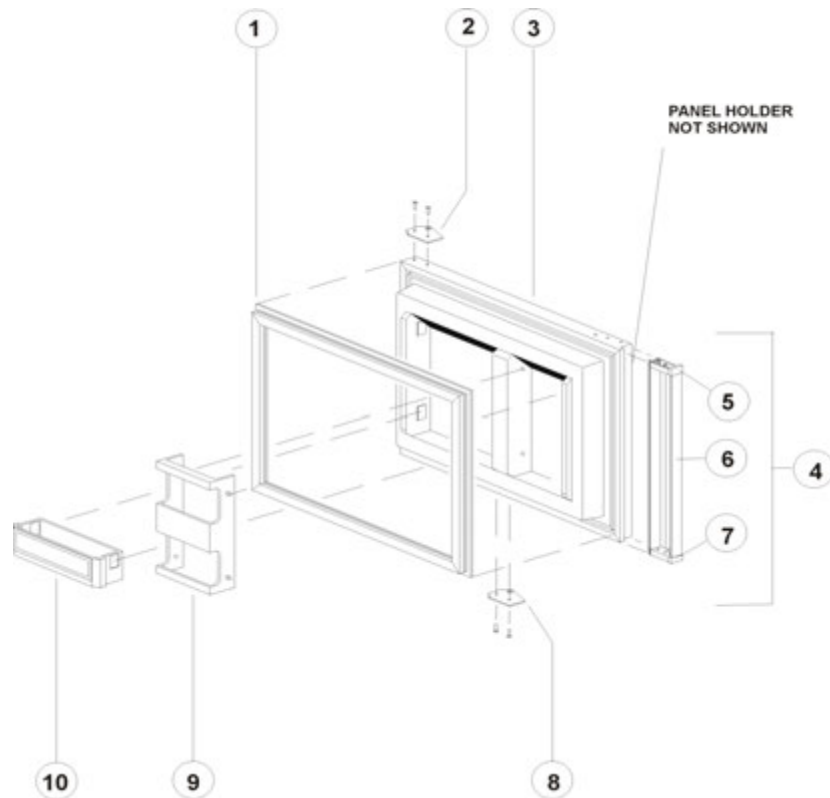
652BN	653BN
-------	-------

662BN	663BN
-------	-------

682BN	683BN
-------	-------

682BNIM
---------

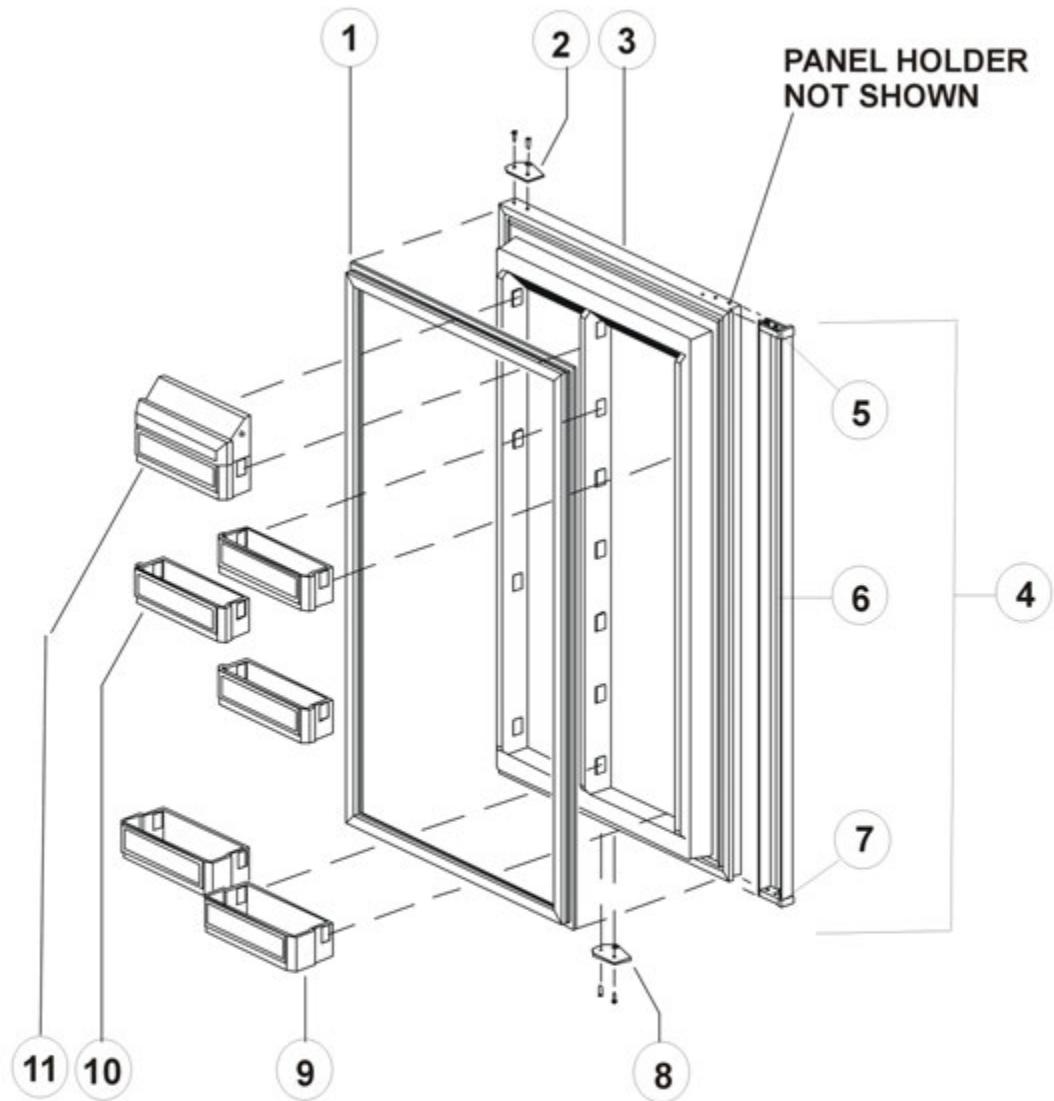
# UPPER DOOR - 66, 68, 66IM, 68IM SERIES - BLACK OR BROWN



NO.	PART #	DESCRIPTION	66	68	66IM	68IM
1	61567830	DOOR GASKET-UPPER/GRAY	X	X	X	X
2	61631330	HINGE PLATE-BLACK/RH TOP/LH BOTTOM/PLASTIC	BLK	BLK	BLK	BLK
	61631322	HINGE PLATE-BROWN/RH TOP/LH BOTTOM/PLASTIC (USE 61631330)	BRN	BRN		BRN
3	61581838-B	DOOR LINER ASSY-FOAMED/UPPER/BLACK/WHITE (USE 61689938)	BLK	BLK	BLK	BLK
	61581837-B	DOOR LINER ASSY-FOAMED/UPPER/BROWN/WHITE LINER (USE 61689938)	BRN	BRN		BRN
	61689938	DOOR LINER ASSY-FOAMED/UPPER	X	X	X	X
NS	61592930	PANEL HOLDER-BLACK/UPPER DOOR (NOT SHOWN)	BLK	BLK	BLK	BLK
NS	61592923	PANEL HOLDER-BROWN/UPPER DOOR (NOT SHOWN)(USE 61592930)	BRN	BRN		BRN
4	61743638	DOOR HANDLE ASSY-UPPER/BLACK	BLK	BLK	BLK	BLK
	61743637	DOOR HANDLE ASSY-UPPER/BROWN (USE 61743638)	BRN	BRN		BRN
	61650038	DOOR HANDLE ASSY-UPPER/BLACK (USE 61743638)	BLK	BLK	BLK	BLK
	61650037	DOOR HANDLE ASSY-UPPER/BROWN (USE 61743638)	BRN	BRN		BRN
5	61593830	END CAP-BLACK/STOP CATCH	BLK	BLK	BLK	BLK
	61593822	END CAP-BROWN/STOP CATCH (USE 61593830)	BRN	BRN		BRN
6	61743622	DOOR HANDLE WITH DECAL-UPPER	X	X	X	X
	61666722	DOOR HANDLE WITH DECAL-UPPER (USE 61743622)	X	X	X	X
7	61593730	END CAP-BLACK/SPRING CATCH	BLK	BLK	BLK	BLK
	61593722	END CAP-BROWN/SPRING CATCH (USE 61593730)	BRN	BRN		BRN
NS	61558822	SPRING-DOOR HANDLE	X	X	X	X
8	61631430	HINGE PLATE-BLACK/LH TOP/RH BOTTOM/PLASTIC	BLK	BLK	BLK	BLK
	61631422	HINGE PLATE-BROWN/LH TOP/RH BOTTOM/PLASTIC (USE 61631430)	BRN	BRN		BRN
9	61580540	JUICE RACK-GRAY/SILVER TRIM (USE 61580525)	X	X		
	61580525	JUICE RACK-WHITE	X	X		
10	61564060	BIN-DOOR SHELF/GRAY/SILVER BORDER (USE 61564025)	X	X	X	X
	617759	BIN-DOOR SHELF/WHITE/BLUE TRIM (USE 61564025)	X	X	X	X
	61564025	BIN-DOOR SHELF/WHITE	X	X	X	X

PART IS NO LONGER AVAILABLE

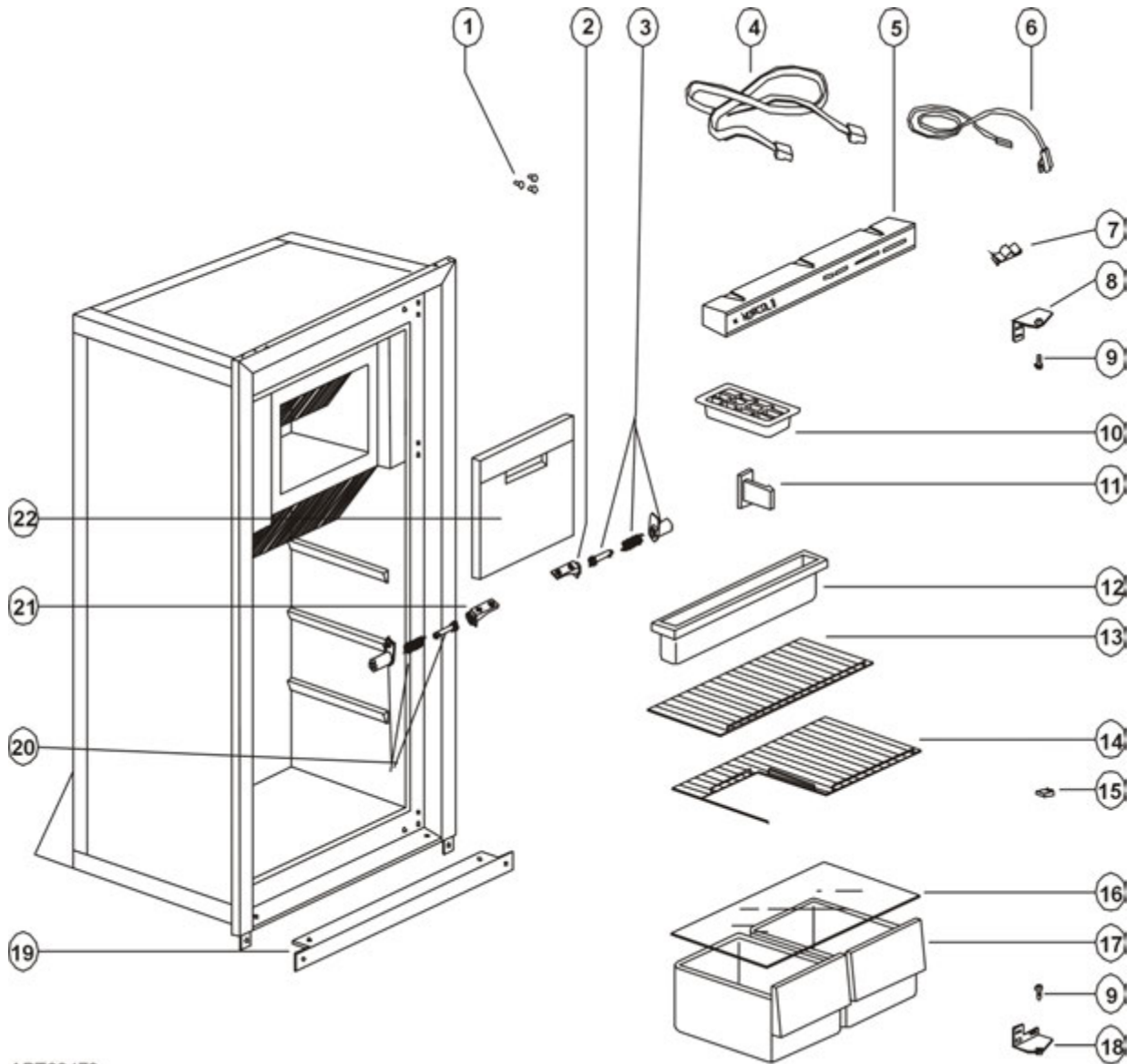
# LOWER DOOR (FRESH FOOD) - 600 SERIES - BLACK OR BROWN



## LOWER DOOR (FRESH FOOD) - 600 SERIES - BLACK OR BROWN

NO.	PART #	DESCRIPTION	65	66	68	66IM	68IM
1	61568030	DOOR GASKET-LOWER/GRAY	X		X		X
	61567930	DOOR GASKET-LOWER/GRAY		X		X	
2	61631330	HINGE PLATE-BLACK/RH TOP/LH BOTTOM/PLASTIC	BLK	BLK	BLK	BLK	BLK
	61631322	HINGE PLATE-BROWN/RH TOP/LH BOTTOM/PLASTIC (USE 61631330)	BRN	BRN	BRN		BRN
3	61581738-B	DOOR LINER ASSY-FOAMED/LOWER/BLACK/WHITE	BLK		BLK		BLK
	61581737-B	DOOR LINER ASSY-FOAMED/LOWER/BROWN/WHITE (USE 61581738-B)	BRN		BRN		BRN
	61581938-B	DOOR LINER ASSY-FOAMED/LOWER/BLACK/WHITE LINER (USE 61690038)		BLK		BLK	
	61581937-B	DOOR LINER ASSY-FOAMED/LOWER/BROWN/WHITE LINER (USE 61690038)		BRN			
	61690038	DOOR LINER ASSY-FOAMED/LOWER/BLACK	X	X	X	X	X
NS	61593130	PANEL HOLDER-BLACK/LOWER DOOR (NOT SHOWN)	BLK		BLK		BLK
	61593123	PANEL HOLDER-BROWN/LOWER DOOR (USE 61593130) (NOT SHOWN)	BRN		BRN		BRN
	61593030	PANEL HOLDER-BLACK/LOWER DOOR (NOT SHOWN)		BLK		BLK	
	61593023	PANEL HOLDER-BROWN/LOWER DOOR (USE 61593030) (NOT SHOWN)		BRN			
4	61649938	DOOR HANDLE ASSY-LOWER/BLACK (USE 61648838)	BLK		BLK		BLK
	61649937	DOOR HANDLE ASSY-LOWER/BROWN (USE 61648838)	BRN		BRN		BRN
	61743538	DOOR HANDLE ASSY-LOWER/BLACK (USE 61648838)	BLK		BLK		BLK
	61743537	DOOR HANDLE ASSY-LOWER/BROWN (USE 61648838)	BRN		BRN		BRN
	61648838	DOOR HANDLE ASSY-LOWER	X		X		X
	61743738	DOOR HANDLE ASSY-LOWER/BLACK (USE 61743738)		BLK		BLK	
	61743737	DOOR HANDLE ASSY-LOWER/BROWN (USE 61743738)		BRN			
	61650138	DOOR HANDLE ASSY-LOWER/BLACK (USE 61743738)		BLK		BLK	
	61650137	DOOR HANDLE ASSY-LOWER/BROWN (USE 61743738)		BRN			
5	61737838	DOOR HANDLE ASSY-LOWER		X		X	
	61593830	END CAP-BLACK/STOP CATCH	BLK	BLK	BLK	BLK	BLK
6	61593822	END CAP-BROWN/STOP CATCH (USE 61593830)	BRN	BRN	BRN		BRN
	61666622	DOOR HANDLE WITH DECAL-LOWER (USE 61648422)	X		X		X
	61743522	DOOR HANDLE WITH DECAL-LOWER (USE 61648422)	X		X		X
	61648422	DOOR HANDLE LOWER	X		X		X
	61666822	DOOR HANDLE WITH DECAL-LOWER (USE 61743722)		X		X	
7	61743722	DOOR HANDLE WITH DECAL-LOWER		X		X	
	61593730	END CAP-BLACK/SPRING CATCH	BLK	BLK	BLK	BLK	BLK
NS	61593722	END CAP-BROWN/SPRING CATCH (USE 61593730)	BRN	BRN	BRN		BRN
	61558822	SPRING-DOOR HANDLE	X	X	X	X	X
8	61631430	HINGE PLATE-BLACK/LH TOP/RH BOTTOM/PLASTIC	BLK	BLK	BLK	BLK	BLK
	61631422	HINGE PLATE-BROWN/LH TOP/RH BOTTOM/PLASTIC (USE 61631430)	BRN	BRN	BRN		BRN
9	61579460	BIN-MILK/GRAY/SILVER BORDER (USE 61579425)	X	X	X	X	X
	617757	BIN-MILK/WHITE/BLUE TRIM (USE 61579425)	X	X	X	X	X
	61579425	BIN-MILK/WHITE	X	X	X	X	X
10	61564060	BIN-DOOR SHELF/GRAY/SILVER BORDER (USE 61564025)	X	X	X	X	X
	617759	BIN-DOOR SHELF/WHITE/BLUE TRIM (USE 61564025)	X	X	X	X	X
	61564025	BIN-DOOR SHELF/WHITE	X	X	X	X	X
11	61580460	DAIRY KEEPER-GRAY/SILVER BORDER	X	X	X	X	X
	617760	DAIRY KEEPER-WHITE/BLUE TRIM	X	X	X	X	X
		PART IS NO LONGER AVAILABLE					

# CABINET ASSEMBLY - FRONT VIEW - 65 SERIES BLACK OR BROWN

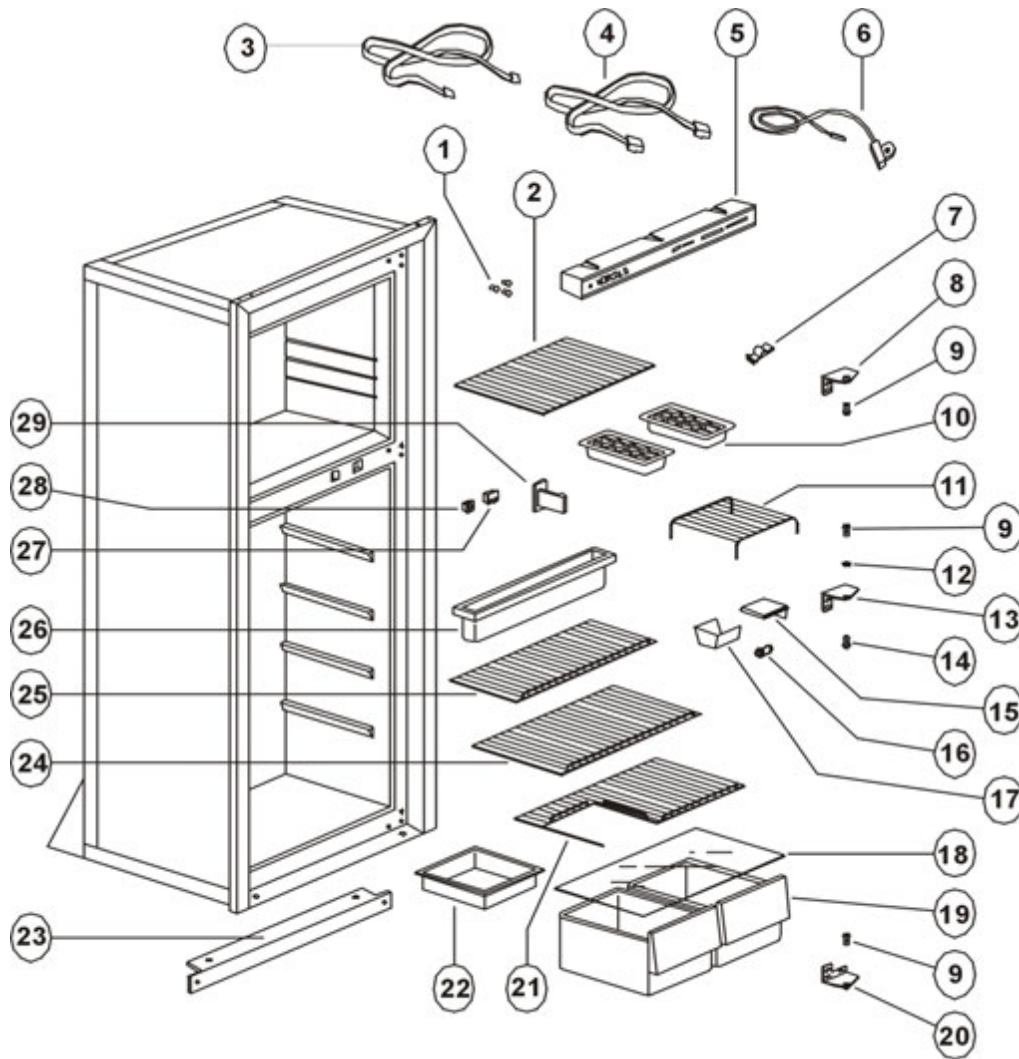


ART00470

## CABINET ASSEMBLY - FRONT VIEW - 65 SERIES BLACK OR BROWN

NO.	PART #	DESCRIPTION	65
1	61582030	HOLE PLUG-BLACK/HINGE HOLES	BLK
	61582022	HOLE PLUG-BROWN/HINGE HOLES (USE 61582030))	BRN
2	61632930	MOUNTING CLIP-RH/WHITE/EVAPORATOR DOOR	X
3	619041	SPRING HOLDER ASSY-RH/EVAP DOOR/SILVER SPRING	X
4	61571522	CABLE-GRAY/ 80"/PC BOARD TO POWER SUPPLY BOARD	X
5	61660937	EYEBROW ASSY-EG2	EG2
	61661037	EYEBROW ASSY-EG3	EG3
6	61621122	THERMISTER-66" (USE 61693822)	X
	61693822	THERMISTER-66"	X
7	633734	CLIP-THERMISTER MOUNTING/FIN	X
8	61580830	HINGE BRACKET-RH TOP/LH BTM/BLACK	BLK
	61580837	HINGE BRACKET-BROWN/RH TOP/LH BTM (USE 61580830)	BRN
9	61578130	HINGE PIN-BLACK/MALE	BLK
	61578123	HINGE PIN-BROWN/MALE	BRN
10	61630422	ICE CUBE TRAY-PLASTIC	X
11	61578522	DOOR LATCH	X
12	61619930	DRIP TRAY-INSIDE	X
13	61563722	SHELF-WIRE/TOP WITH LH RISER (USE 618651)	X
	617726	SHELF-WIRE/TOP WITH RH RISER (USE 618651)	X
	618062	SHELF-WIRE/TOP/RH RISER (USE 618651)	X
	618651	SHELF-CUTOUT-WHITE	X
14	61646722	SHELF-WIRE/WITH CUT OUT (USE 618055)	X
	618055	SHELF-WIRE/CUT OUT	X
NS	61622722	RETAINER-WIRE SHELF (NOT SHOWN)	X
15	61580322	RETAINER-GLASS SHELF	X
16	61564122	CRISPER COVER-GLASS SHELF	X
17	61571360	CRISPER-GRAY/SILVER BORDER (USE 61571325)	X
	617758	CRISPER-WHITE/BLUE TRIM (USE 61571325)	X
	61571325	CRISPER-WHITE	X
18	61580930	HINGE BRACKET-LH TOP/RH BTM/BLACK	BLK
	61580937	HINGE BRACKET-LH TOP/RH BTM/BROWN (USE 61580930)	BRN
19	61622130	FRONT COVER-BLACK/REPLACEABLE BOTTOM TRIM	BLK
	61622123	FRONT COVER-BROWN/REPLACEABLE BOTTOM TRIM (USE 61622130)	BRN
20	619042	SPRING HOLDER ASSY-LH/EVAP DOOR/YELLOW SPRING	X
21	61633030	MOUNTING CLIP-LH/WHITE/EVAPORATOR DOOR	X
22	61620738	EVAPORATOR DOOR ASSY-WHITE/WITHOUT DECAL	X
NS	61618730	DOOR GASKET-EVAPORATOR/GRAY (NOT SHOWN)	X
NS	61579730	CAP-SNAP ON/BLACK/INSTALLATION HOLES (NOT SHOWN)	BLK
	61579722	CAP-SNAP ON/BROWN/INSTALLATION HOLES (NOT SHOWN) (USE 61579730)	BRN
NS	61580630	HINGE PIN-BLACK/TOP/BOTTOM HINGE/FEMALE (NOT SHOWN)	BLK
	61580623	HINGE PIN-BROWN/TOP/BOTTOM HINGE/FEMALE (USE 61580630)	BRN
		PART IS NO LONGER AVAILABLE	

# CABINET ASSEMBLY - FRONT VIEW - 66 ,68 SERIES - BLACK OR BROWN



ART00467

NO.	PART #	DESCRIPTION	66	68	66IM	68IM
1	61582030	HOLE PLUG-BLACK/HINGE HOLES	BLK	BLK	BLK	BLK
	61582022	HOLE PLUG-BROWN/HINGE HOLES (USE (61582030))	BRN	BRN		BRN
2	61710622	SHELF-WIRE/FREEZER (USE 618650)	X	X		
	618057	SHELF-WIRE/FREEZER (USE 618650)	X	X		
	618650	SHELF-WIRE/FREEZER	X	X		
NS	61710522	SHELF-WIRE/FREEZER/ICE MAKER (USE 618058)(NOT SHOWN)			X	X
	618058	SHELF-WIRE/FREEZER/WHITE/ICE MAKER (NOT SHOWN)			X	X
3	61718722	HUMIDITY SWITCH HARNESS ASSY	X	X	X	X
4	61571522	CABLE-GRAY/ 80"/PC BOARD TO POWER SUPPLY BOARD	X	X	X	X
5	61660937	EYEBROW ASSY-EG2	EG2	EG2	EG2	EG2
	61724138	EYEBROW ASSY-EG2	EG2	EG2	EG2	EG2
	61661037	EYEBROW ASSY-EG3	EG3	EG3	EG3	EG3
	61724038	EYEBROW ASSY-EG3	EG3	EG3	EG3	EG3
6	61621122	THERMISTER-66" (USE 61693822)	X	X		
	61693822	THERMISTER-66"	X	X	X	X
7	633734	CLIP-THERMISTER MOUNTING/FIN	X	X	X	X

PART IS NO LONGER AVAILABLE

(Continued on Page 8)



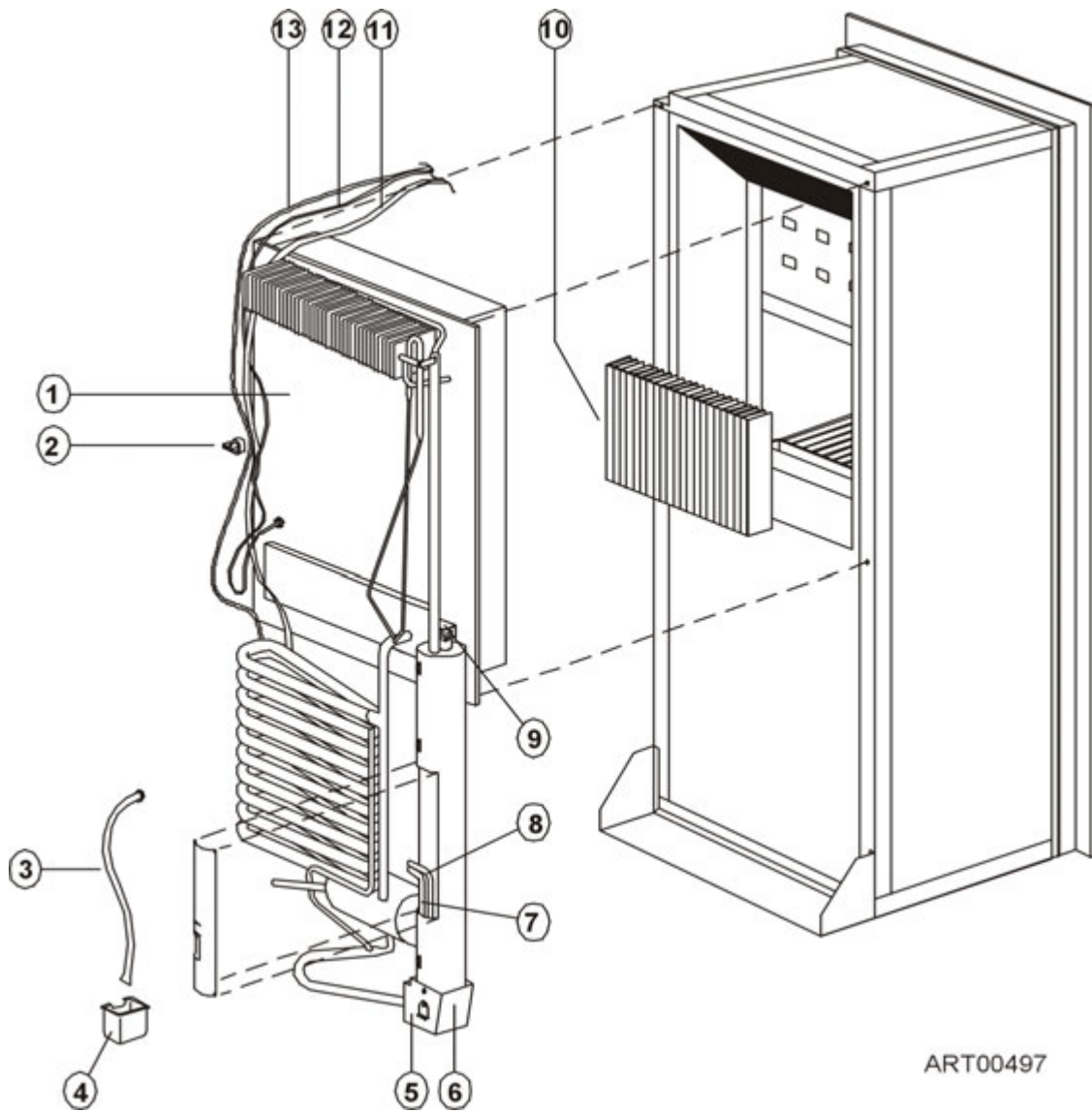
# CABINET ASSEMBLY - FRONT VIEW - 66 ,68 SERIES - BLACK OR BROWN

NO.	PART #	DESCRIPTION	66	68	66IM	68IM
8	61580830	HINGE BRACKET-RH TOP/LH BTM/BLACK	BLK	BLK	BLK	BLK
	61580837	HINGE BRACKET-RH TOP/LH BTM/BROWN (USE 61580830)	BRN	BRN		BRN
9	61578130	HINGE PIN-BLACK/MALE	BLK	BLK	BLK	BLK
	61578123	HINGE PIN-BROWN/MALE	BRN	BRN		BRN
10	61630422	ICE CUBE TRAY-PLASTIC	X	X		
NS	618464	BIN-ICE BIN/WHITE/RELOCATED IM (NOT SHOWN)			X	X
	61688322	BIN-ICE/ICE MAKER/GRAY (USE 617761)(NOT SHOWN)			X	X
	617761	BIN-ICE/ICE MAKER/WHITE (NOT SHOWN)			X	X
11	61523622	SHELF-WIRE/EVAPORATOR	X	X		
	61542422	CAP-EVAPORATOR SHELF	X	X	X	X
12	61580722	HINGE BUSHING-AT CENTER HINGE	X	X	X	X
13	61566530	HINGE BRACKET-BLACK/CENTER HINGE	BLK	BLK	BLK	BLK
	61566523	HINGE BRACKET-BROWN/CENTER HINGE (USE 61566530)	BRN	BRN		BRN
14	61566730	HINGE PIN SHAFT-BLACK/AT CENTER HINGE	BLK	BLK	BLK	BLK
	61566723	HINGE PIN SHAFT-BROWN/AT CENTER HINGE (USE 61566730)	BRN	BRN		BRN
15	61629722	LAMP BRACKET ASSY	X	X	X	X
16	632545	LAMP-DC LIGHT BULB	X	X	X	X
17	61627922	COVER-LAMP (USE 621827)	X	X	X	X
	621827	COVER-LAMP	X	X	X	X
18	61564122	CRISPER COVER-GLASS SHELF	X	X	X	X
19	61571360	CRISPER-GRAY/SILVER BORDER (USE 61571325)	X	X	X	X
	617758	CRISPER-WHITE/BLUE TRIM (USE 61571325)	X	X	X	X
	61571325	CRISPER-WHITE	X	X	X	X
20	61580930	HINGE BRACKET-LH TOP/RH BTM/BLACK	BLK	BLK	BLK	BLK
	61580937	HINGE BRACKET-BROWN/LH TOP/RH BTM (USE 61580930)	BRN	BRN		BRN
21	61646722	SHELF-WIRE/WITH CUT OUT (USE 618055)	X	X	X	X
	618055	SHELF-WIRE/CUT OUT	X	X	X	X
22	61680922	TRAY-SHELF/GRAY/CUT OUT (USE 617756)	X	X	X	X
	617756	TRAY-SHELF/WHITE/CUT OUT	X	X	X	X
23	61622130	FRONT COVER-BLACK/REPLACEABLE BOTTOM TRIM	BLK	BLK	BLK	BLK
	61622123	FRONT COVER-BROWN/REPLACEABLE BOTTOM TRIM (USE 61622130)	BRN	BRN		BRN
24	61563822	SHELF-WIRE/MIDDLE (USE 618052)	X	X	X	X
	618052	SHELF-WIRE/MIDDLE	X	X	X	X
25	61563722	SHELF-WIRE/TOP WITH LH RISER (USE 618651)	X	X	X	X
	617726	SHELF-WIRE/TOP WITH RH RISER (USE 618651)	X	X	X	X
	618062	SHELF-WIRE/TOP/RH RISER (USE 618651)	X	X	X	X
	618651	SHELF-WIRE/CUTOUT-WHITE	X	X	X	X
NS	618065	CAP-CLEAR/FOR FLIPPER SHELF (NOT SHOWN)	X	X	X	X
NS	61580222	RETAINER-WIRE SHELF (NOT SHOWN)	X	X	X	X
NS	61580322	RETAINER-GLASS SHELF	X	X	X	X
26	61572830	DRIP TRAY-INSIDE/WHITE	X	X	X	X
27	61581022	LIGHT SWITCH-BLACK	X	X	X	X
28	61525922	ROCKER SWITCH-BLACK/3 POSITION (SWITCH IN DIVIDER)	X	X	X	X
NS	617723	COVER-HUMIDITY SWITCH (NOT SHOWN)	X	X	X	X
29	61578522	DOOR LATCH	X	X	X	X
NS	61579730	CAP-SNAP ON/BLACK/INSTALLATION HOLES (NOT SHOWN)	BLK	BLK	BLK	BLK
	61579722	CAP-SNAP ON/BROWN/INSTALLATION HOLES (NOT SHOWN) (USE 61579730)	BRN	BRN		BRN
NS	61580630	HINGE PIN-BLACK/TOP/BOTTOM HINGE/FEMALE (NOT SHOWN)	BLK	BLK	BLK	BLK
	61580623	HINGE PIN-BROWN/TOP/BOTTOM HINGE/FEMALE (USE 61580630)	BRN	BRN		BRN

PART IS NO LONGER AVAILABLE



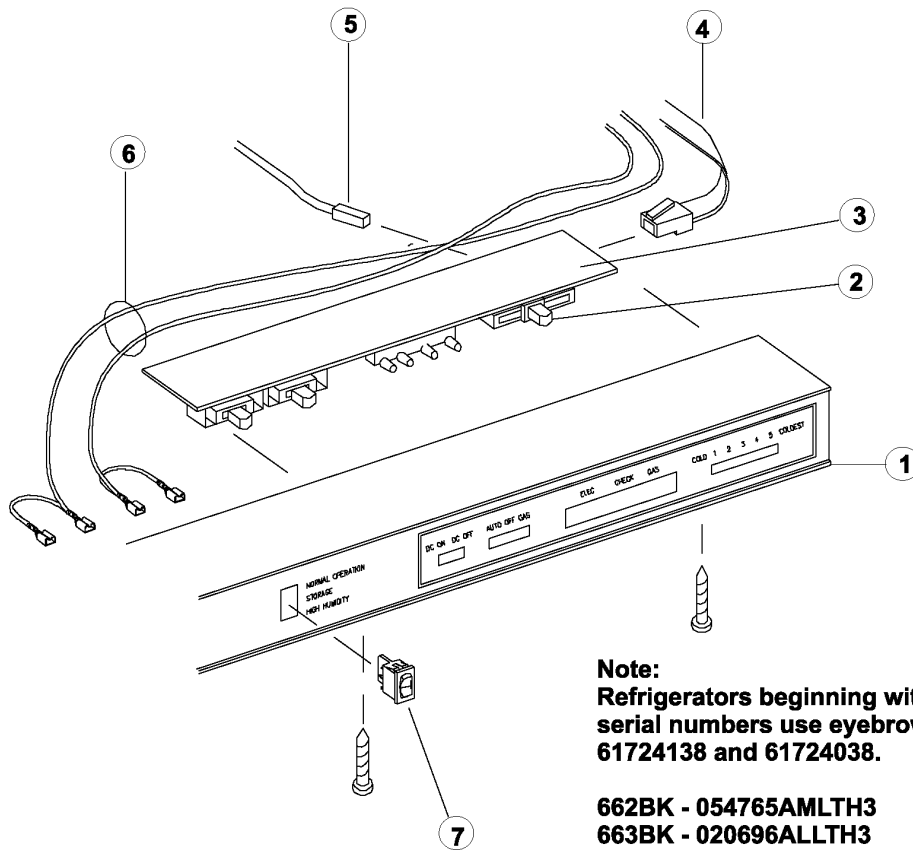
# CABINET ASSEMBLY - REAR VIEW - COOLING UNIT AREA - 600 SERIES



## CABINET ASSEMBLY - REAR VIEW - COOLING UNIT AREA - 600 SERIES

NO.	PART #	DESCRIPTION	65	66	68	66IM	68IM
1	61687140	NSC SYSTEM PACK-COOLING UNIT/NA6	X				
	632311	NSC SYSTEM PACK-COOLING UNIT/NA8 (BACKER HEATER)		X		X	
	632318	NSC SYSTEM PACK-COOLING UNIT/NA10 (BACKER HEATER)			X		X
NS	61679337	BAFFLE DIFFUSER/WIRE ASSY (NOT SHOWN)(USE 61632010/61679022)	X				
	61679237	BAFFLE DIFFUSER/WIRE ASSY (NOT SHOWN)(USE 618111)		X	X	X	X
2	61536522	CLAMP-NYLON CABLE 1/2"	X	X	X	X	X
3	61509522	DRAIN HOSE (USE 622390)			X		X
	61591422	DRAIN HOSE-23" (USE 622390)		X		X	
	622390	DRAIN TUBE ASSY		X	X	X	X
NS	61505122	HOSE CLAMP (NOT SHOWN)		X	X	X	X
4	61710922	DRIP CUP-REAR/METAL (USE 622546)		X	X	X	X
	61530511	DRIP PAN-REAR/RECTANGULAR CANISTER (USE 622546)		X	X	X	X
	622546	DRIP CUP-REAR/PLASTIC		X	X	X	X
5	61712637	COVER ASSY-BURNER BOX	X	X	X	X	X
6	61695322	BASE-BURNER BOX	X	X	X	X	X
7	61562522	HEATER-AC/200W/110VAC	X				
	621702	HEATER-AC (COOLING UNIT SERIAL# 11231023 & BELOW)		X		X	
		HEATER-AC (COOLING UNIT SERIAL# 11232007 & BELOW)				X	
	630811	HEATER-AC/BACKER (COOLING UNIT SERIAL# 11231024 & ABOVE)		X		X	
		HEATER-AC/BACKER (COOLING UNIT SERIAL# 11232008 & ABOVE)				X	
8	61562622	HEATER-DC/150W/14VDC	EG3				
	623832	HEATER-DC (COOLING UNIT SERIAL# 11231023 & BELOW)		EG3		EG3	
		HEATER-DC (COOLING UNIT SERIAL# 11232007 & BELOW)				EG3	
	630812	HEATER-DC/BACKER (COOLING UNIT SERIAL# 11231024 & ABOVE)		EG3		EG3	
		HEATER-DC/BACKER (COOLING UNIT SERIAL# 11232008 & ABOVE)				EG3	
9	61695022	CAP-HEAT DEFLECTOR	X	X	X	X	X
10	61686823	FINS	X	X	X	X	X
11	61571522	CABLE-GRAY/ 80"/PC BOARD TO POWER SUPPLY BOARD	X	X	X	X	X
12	61621122	THERMISTER-66" (USE 61693822)	X	X	X		
	61693822	THERMISTER-66"	X	X	X	X	X
13	61718722	HUMIDITY SWITCH HARNESS ASSY		X	X	X	X
		PART IS NO LONGER AVAILABLE					

# EYEBROW ASSEMBLY - 600 SERIES

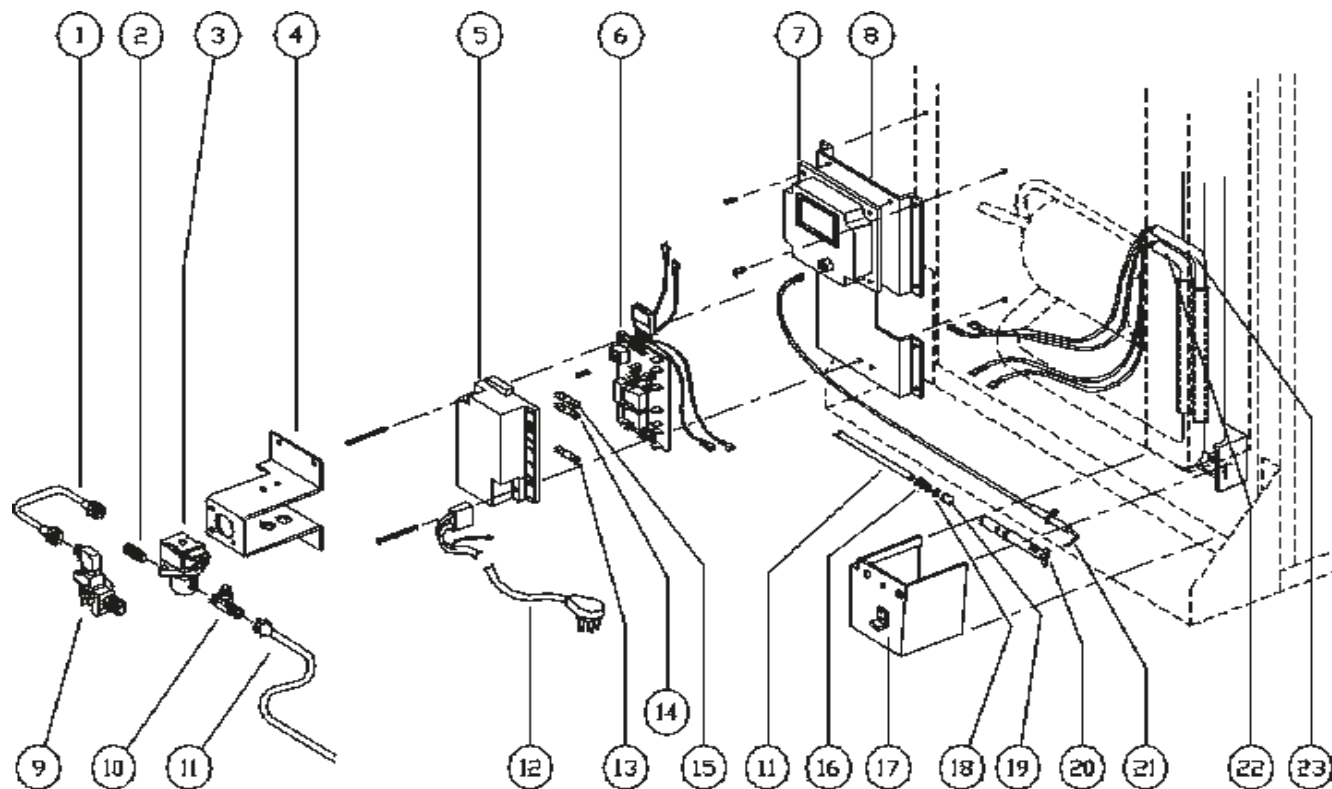


**Note:**  
Refrigerators beginning with the following serial numbers use eyebrow assemblies 61724138 and 61724038.

- 662BK - 054765AMLTH3
- 663BK - 020696ALLTH3
- 682BK - 037049AKLTH3
- 683BK - 016604AJLTH3

NO.	PART #	DESCRIPTION	65	66	68	66IM	68IM
	61660937	EYEBROW ASSY-EG2 (PRODUCT MADE PRIOR TO AUGUST 1993)	EG2	EG2	EG2	EG2	EG2
	61724138	EYEBROW ASSY-EG2 (PRODUCT MADE AFTER JULY 1993)		EG2	EG2	EG2	EG2
	61661037	EYEBROW ASSY-EG3 (PRODUCT MADE PRIOR TO AUGUST 1993)	EG3	EG3	EG3	EG3	EG3
	61724038	EYEBROW ASSY-EG3 (PRODUCT MADE AFTER JULY 1993)		EG3	EG3	EG3	EG3
1	61669822	EYEBROW SHELL-EG2 (PRODUCT MADE PRIOR TO AUGUST 1993)	EG2	EG2	EG2	EG2	EG2
	61726622	EYEBROW SHELL-EG2 (PRODUCT MADE AFTER JULY 1993)		EG2	EG2		
	61669922	EYEBROW SHELL-EG3 (PRODUCT MADE PRIOR TO AUGUST 1993)	EG3	EG3	EG3	EG3	EG3
	61726722	EYEBROW SHELL-EG3 (PRODUCT MADE AFTER JULY 1993)		EG3	EG3		
2	61587422	THERMOSTAT BUTTON	X	X	X	X	X
3	61647322	PC BOARD-EG2/AT EYEBROW ASSY	EG2	EG2	EG2	EG2	EG2
	61647522	PC BOARD-EG3/AT EYEBROW ASSY	EG3	EG3	EG3	EG3	EG3
4	61571522	CABLE-GRAY/ 80"/PC BOARD TO POWER SUPPLY BOARD	X	X	X	X	X
5	61621122	THERMISTER-66" (USE 61693822)	X	X	X		
	61693822	THERMISTER-66"	X	X	X	X	X
6	61718722	HUMIDITY SWITCH HARNESS ASSY		X	X	X	X
7	61525922	ROCKER SWITCH-BLACK/3 POSITION (WITH 61724038/61724138)		X	X	X	X
		PART IS NO LONGER AVAILABLE					

# CONTROL ASSEMBLY - 600 SERIES - SINGLE ELECTRODE SERIES

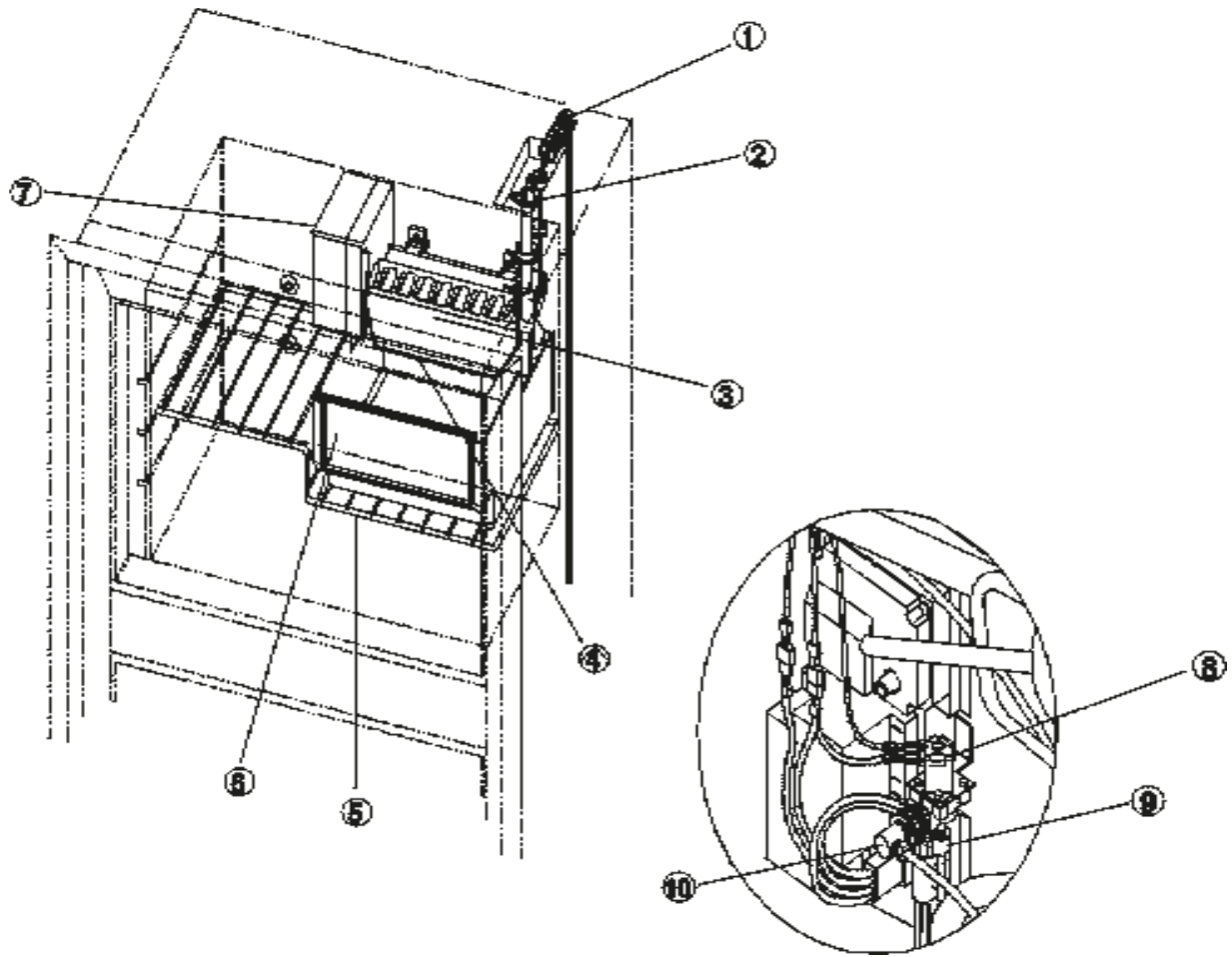


# CONTROL ASSEMBLY - 600 SERIES - SINGLE ELECTRODE SERIES

NO.	PART #	DESCRIPTION	65	66	68	66IM	68IM
	621446	KIT-GAS VALVE/BURNER TUBE/BURNER ASSY	X				
	621447	KIT-GAS VALVE/BURNER TUBE/BURNER ASSY		X	X	X	X
1	61694622	UNION TUBE	X	X	X	X	X
	61620922	UNION TUBE (EARLIER VERSION)	X	X	X	X	X
	61644522	UNION TUBE (EARLIER VERSION)	X	X	X		
2	61546822	CONNECTOR-MALE	X	X	X	X	X
3	61551822	GAS VALVE-ASCO (USE 621446/621447)	X	X	X	X	X
4	61694022	BRACKET-MOUNTING/GAS VALVE	X	X	X	X	X
5	61655622	COVER-POWER SUPPLY	X	X	X	X	X
6	618661	POWER SUPPLY BOARD-EG2	EG2	EG2	EG2	EG2	EG2
	618666	POWER SUPPLY BOARD-EG3	EG3	EG3	EG3	EG3	EG3
7	61717037	CONTROL MODULE ASSY-IGNITION/SINGLE ELECTRODE	X	X	X	X	X
8	61618922	BRACKET-CONTROL MOUNTING	X	X	X	X	X
9	61694922	MANUAL SHUT OFF VALVE ASSY-KINCO BALON (USE 621446/621447)	X	X	X	X	X
10	61594422	PRESSURE TAP	X	X	X	X	X
NS	61445322	PLUG-1/8"/FOR PRESSURE TAP (NOT SHOWN)	X	X	X	X	X
11	61695922	BURNER TUBE	X				
	61604722-A	BURNER TUBE-REVISION C/U TUBE		X	X	X	X
12	61554422	CORD-AC POWER/BLACK	X	X	X		
	618406	CORD-AC POWER/IM				X	X
13	61611622	FUSE-GLASS/5 AMP/110 VOLT	X	X	X	X	X
14	61446022	FUSE-GLASS/15 AMP/EG3	EG3				
	61440522	FUSE-GLASS/20 AMP		EG3	EG3	EG3	EG3
15	61538822	FUSE-GLASS/3 AMP (USE 61654622)	X	X	X	X	X
	61645622	FUSE-GLASS/3 AMP	X	X	X	X	X
16	61448622	FITTING-FOR BURNER TUBE (USE 61692622 & 61692722)	X	X	X		
	61692722	FITTING-GAS TUBE CONNECTION	X	X	X	X	X
	61692622	SLEEVE-BALL/.25"/TUBE COMPRESSION RING/BRASS	X	X	X	X	X
17	61712637	COVER ASSY-BURNER BOX	X	X	X	X	X
18	61475122	ORIFICE GASKET	X	X	X	X	X
19	618866	ORIFICE-LP14	X				
	618865	ORIFICE-LP16		X	X	X	X
20	61705222	BURNER ASSY-5 SLOT (USE 621955/621957)	X	X	X	X	X
	621955	KIT-SERVICE-BURNER/ORIFICE	X				
	621957	KIT-SERVICE-BURNER/ORIFICE		X	X	X	X
21	61692222	ELECTRODE-SPARK/SENSE/SINGLE ELECTRODE/0.25"	X	X	X	X	X
22	61562522	HEATER-AC/200W/110VAC	X				
	621702	HEATER-AC (COOLING UNIT SERIAL# 11231023 & BELOW)		X		X	
	621702	HEATER-AC (COOLING UNIT SERIAL# 11232007 & BELOW)			X		X
	630811	HEATER-AC/BACKER (COOLING UNIT SERIAL# 11231024 & ABOVE)		X		X	
	630811	HEATER-AC/BACKER (COOLING UNIT SERIAL# 11232008 & ABOVE)			X		X
23	61562622	HEATER-DC/150W/14VDC	EG3				
	623832	HEATER-DC (COOLING UNIT SERIAL# 11231023 & BELOW)		EG3		EG3	
	623832	HEATER-DC (COOLING UNIT SERIAL# 11232007 & BELOW)			EG3		EG3
	630812	HEATER-DC/BACKER (COOLING UNIT SERIAL# 11231024 & ABOVE)		EG3		EG3	
	630812	HEATER-DC/BACKER (COOLING UNIT SERIAL# 11232008 & ABOVE)			EG3		EG3

PART IS NO LONGER AVAILABLE

# ICE MAKER PARTS - 600 SERIES



NO.	PART #	DESCRIPTION	66IM
1	61676322	WIRING HARNESS-ICE MAKER (USE 618407)	X
	618407	WIRING HARNESS-IM	X
2	61660722	FITTING-WATER TUBE/IM (USE 620659)	X
	620659	FITTING-WATER TUBE/IM	X
3	633324	KIT-ICE MAKER	X
4	61656922	SHUT OFF ARM/IM	X
5	61710522	SHELF-WIRE/FREEZER/ICE MAKER (USE N/A 618058)	X
	61667722	SHELF-WIRE/LONG/ICE MAKER (USE N/A 618058)	X
	61674122	SHELF-WIRE/SHORT/ICE MAKER (USE N/A 618058)	X
	618058	SHELF-WIRE	X
6	618464	BIN-ICE BIN/WHITE/RELOCATED IM	X
	61688322	BIN-ICE/ICE MAKER/GRAY (USE 617761)	X
	617761	BIN-ICE/ICE MAKER/WHITE	X
7	61656822	COVER-FRONT/ICE MAKER	X
8	633325	KIT-WATER VALVE (USE 618253)	X
	618408	WATER VALVE-RELOCATED ICE MAKER (USE 633325)	X
9	61678722	NUT-COMPRESSION/WATER VALVE FITTING/IM (USE 622991)	X
	622991	NUT-COMPRESSION	X
10	618071	GARDEN HOSE ADAPTER-90 DEGREE/IM (USE 61679622)	X
	61679622	GARDEN HOSE ADAPTER-STRAIGHT/IM	X
		PART IS NO LONGER AVAILABLE	

This manual has been provided courtesy of  
My RV Works, Inc.

[www.myrvworks.com](http://www.myrvworks.com)



You can find more RV service manuals here:

[www.myrvworks.com/manuals](http://www.myrvworks.com/manuals)

Over the years of running a mobile RV repair service, having a dedicated place to access service manuals for all the different appliances and components found on RVs was something that I always had a desire to create.

I hope this resource makes your RV repairs easier, as it has mine, but please be careful and follow proper safety practices when attempting to repair your own RV.

If in doubt, please consult with a professional RV technician!



DARREN KOEPP - OWNER, MY RV WORKS, INC.

*All service manuals provided on [www.myrvworks.com](http://www.myrvworks.com) are believed to be released for distribution and/or in the public domain.*