



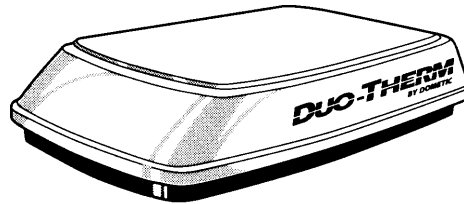
**WHEN ORDERING SPARE PARTS, ALWAYS STATE:**  
MODEL NO. - PRODUCT NO. - QUANTITY -  
PART NUMBER - DESCRIPTION  
**FOR ELECTRIC DETAILS ALSO:**  
VOLTAGE - WATTAGE

# MODEL 630025.321 Roof-Top Heat Pump used with Air Distribution Box Kit

**USA**  
SERVICE OFFICE  
The Dometic Corp.  
509 So. Poplar St.  
LaGrange, IN 46761  
219-463-4858

**CANADA**  
Dometic Dist.  
866 Langs Dr.  
Cambridge, Ontario  
CANADA N3H 2N7  
519-653-4390

**For Service Center  
Assistance Call:**  
800-544-4881



## PARTS LIST

**MODEL**  
**630025.321**  
Product No. 991721742  
Suffix C & D



**ALPHABETICAL INDEX**

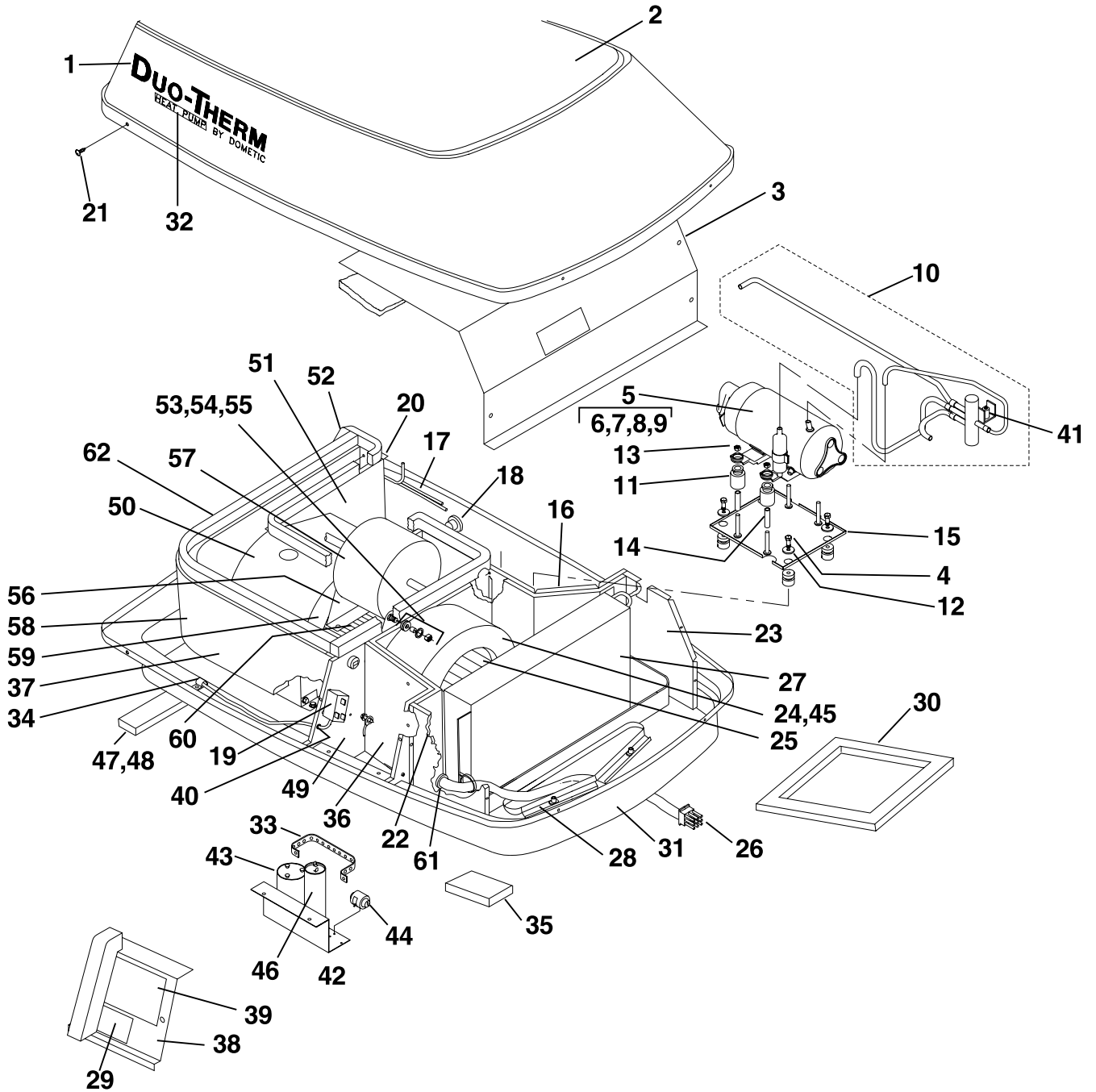
	Page	Index #
Air Box Asm. ....	6 &7	A-C
Roof Mounted Assembly .....	5	1-62
Wiring Diagrams .....	8	

**SPECIFICATIONS**

MODEL NO.	630025.321	
Nominal Capacity (BTU/HR)	Cooling=13,500/Heating=13,500	
Electrical Rating	115 VAC, 60 Hz., 1 ph.	
Compressor Rated Load Amps	12.4	
Fan Motor Rated Load Amps	3.1	
Compressor Locked Rotor Amps	60.0	
Fan Motor Locked Rotor Amps	8.8	
Power, Cooling (KW)	1.8	
SCFM-High Speed Max./Min.	335/250	
Refrigerant (R22) Oz.	24.5	
Minimum Wire Size *	12 AWG Copper Up to 24 ft.	
Circuit Protection	20 Amp Time Delay Fuse or HACR Circuit Breaker	
Installed Weight (Pounds)	106	
Minimum Generator	1 Unit	3.5 KW
Size **	2 Units	5.0 KW

\* For distances over 24 ft. consult the National Electrical Code.  
 \*\* The Dometic Corporation gives **GENERAL** guidelines for generator requirements. These guidelines come from experiences people have had in actual applications. When sizing the generator, the total power usage of your recreational vehicle must be considered. Also keep in mind generators lose power at high altitudes and from lack of maintenance.

# ROOF MOUNTED ASSEMBLY



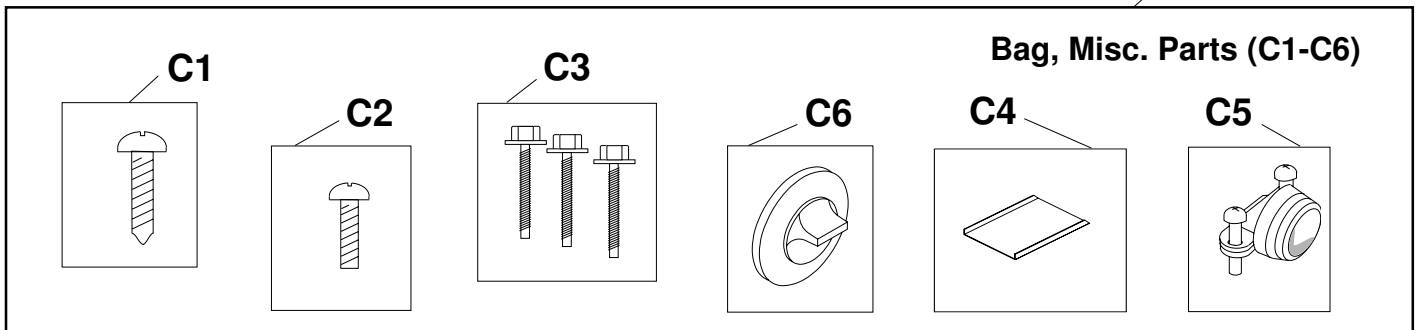
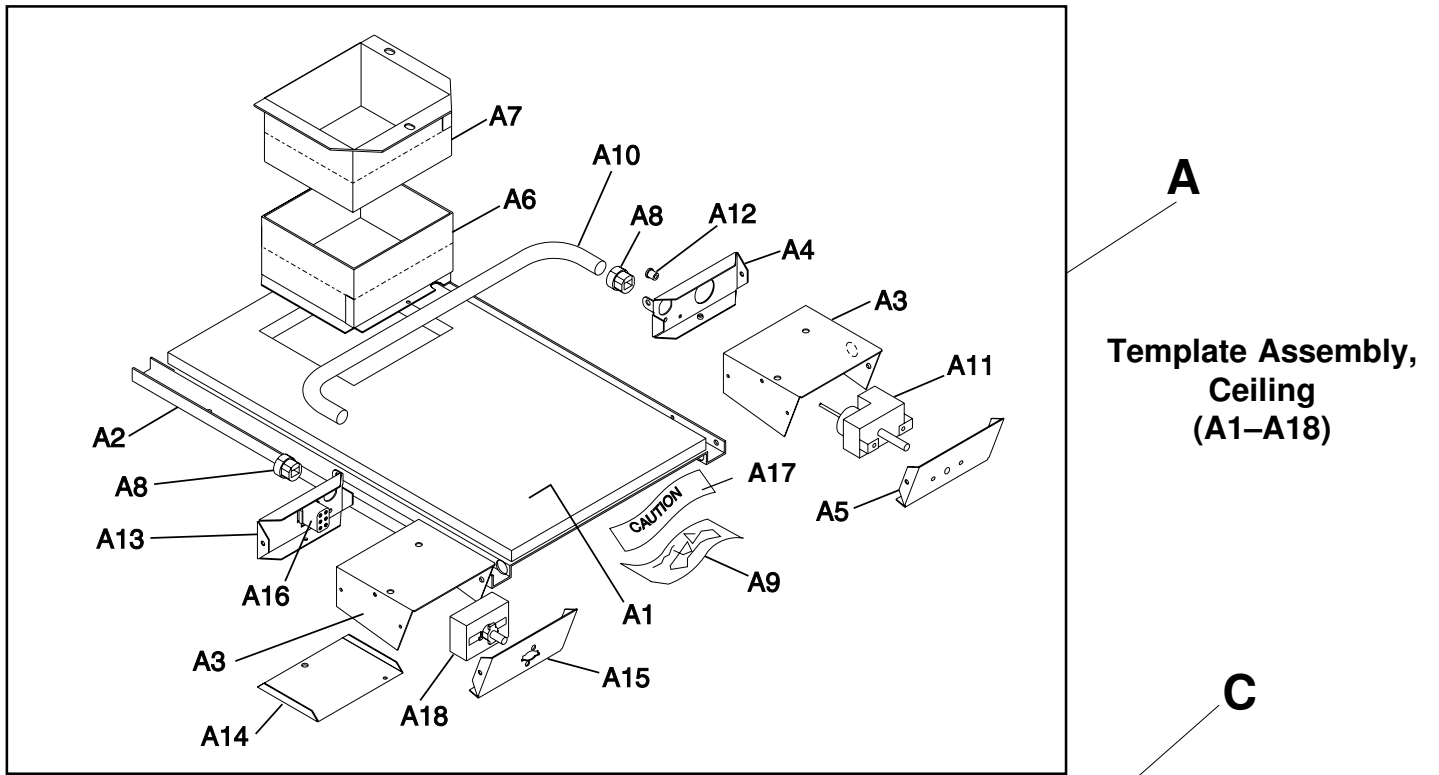
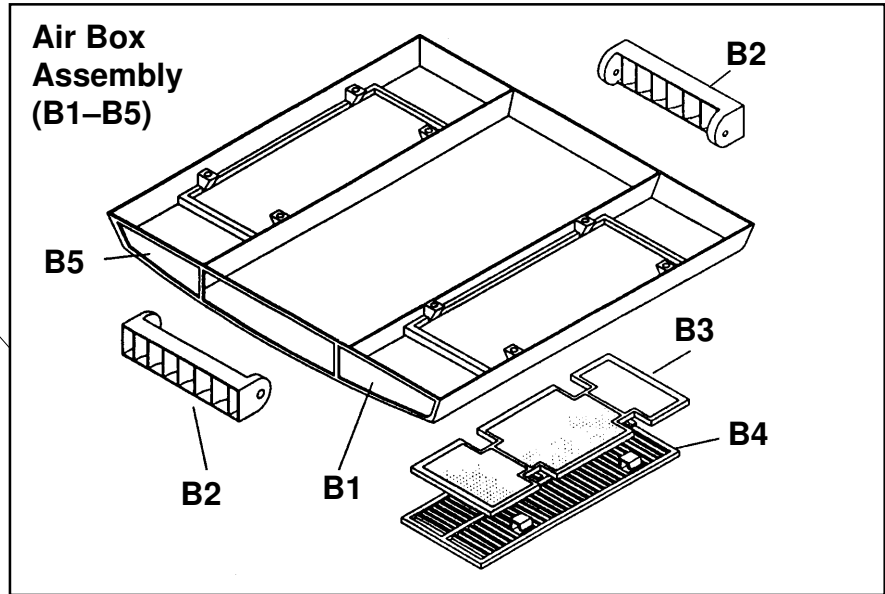
## ROOF MOUNTED ASSEMBLY

Index #	Description	630025.321 C&D
1	Decal, Duo-Therm (2 req.)	3102888.009
2	Shroud, less decals	See NOTE 1
3	Evap. cover asm. with insulation	3102514.803
4	Screw, M25-20 x .75 hw (4 req.)	312110.024
5	Compressor Asm.	3102984.006
6	Cover, terminal	3102321.001
7	Gasket, terminal	3102320.003
8	Overload, protector	3100250.228
9	Plate, compressor	3102590.035
10	Valve, Rev. Weldment	3106042.009
11	Grommet mtg. plate (7 req.)	3102324.005
12	Washer, flat (4 req.)	309513.015
13	Nut, flange (3 req.)	306342.005
14	Sleeve, compressor (3 req.)	3100239.114
15	Plate, compressor mtg.	3102591.025
16	Bulkhead, compressor	3102511.049
17	Capillary tubes (2 req.)	3100245.392
18	Bushing, snap-in	301028.037
19	Changeover t-stat, ht. pump	3105506.004
20	Plate, close-off	3106143.005
21	Screw, shroud (4 req.)	313685.001
22	Insulation, evap. bulkhead	3102516.022
23	Plate, evap. close-off [Split and use (1) each side]	3102512.021
24	Blower housing	3100300.007
25	Wheel, evaporator (plastic)	3100385.008
26	Plug, male, 9-pole	3106625.027
27	Coil, evaporator	3105970.002
28	Bracket, front	3105495.000
29	Decal, Caution	3100384.001
30	Gasket, mounting 14 x 14	3100247.000
31	Base pan	3103179.010
32	Decal, Heat Pump by Dometic (2 req.)	3106381.001
33	Strap, capacitor	317188.000
34	Clip, nylon wire	304203.001
35	Foam block (2 req.)	3100587.009
36	Bulkhead, elec. box	3102532.037
37	Relief, strain	302994.017
38	Cover, elec. box	3102510.009
39	Decal, field wiring	3106608.007
40	Bushing, snap-in	301028.040
41	Solenoid, reversing valve	3105504.009
42	Panel, capacitor	3104412.006
43	Capacitor, fan/run	3100248.321
44	PTCR device	3100876.006
45	Insulation, housing (not shown)	3100294.002
46	Capacitor, start	3100236.169
47	Gasket 10" x 1.5"	3100286.032
48	Gasket 16" x 1.5" (not shown) (2 req.)	3100286.016
49	Bulkhead, evaporator	3100254.055
50	Blower scroll	3100260.003
51	Blower, side/rear	3100261.001
52	Foam tape, 1-1/4" x 3/4" x 69" (order by inches)	3102669.045
53	Grommet, motor (4 req.)	3100230.022
54	Spacer, motor (4 req.)	308046.000
55	Nut, flange (4 req.)	306342.003
56	Bracket, motor (2 req.)	3106187.002
57	Motor, fan	3108702.372
58	Coil, condenser	3106041.001
59	Blower, side-front	3100259.005
60	Wheel, blower condenser	3100274.004
61	Strain relief	302994.011
62	Foam tape, 1-1/4" x 1-1/4" x 35" order by inches)	3102669.029

<b>NOTE 1:</b> Models ending in .321	Use 3102515.008	Shell White
Models ending in .321C	Use 3102515.024	Polar White
Models ending in .321D	Use 3102515.032	Light Gray

# CUSTOMER OPTION

## 3106152.006 AIR BOX ASSEMBLY, COMPLETE A-C

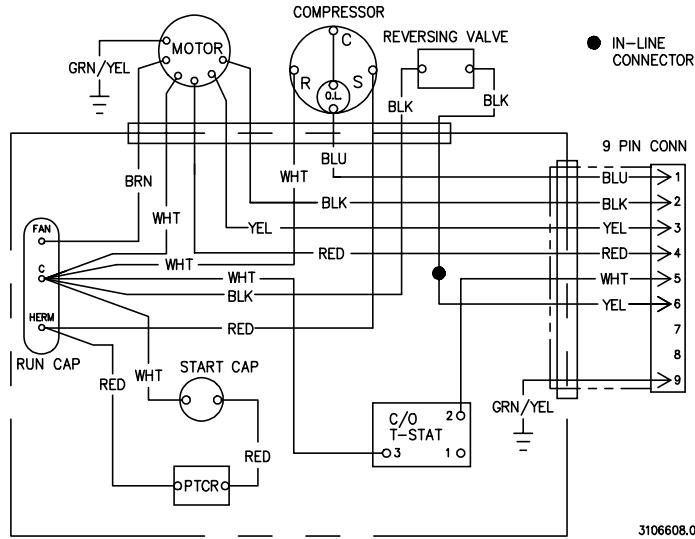


## CUSTOMER OPTION - REQUIRED

### 3106152.006 AIR BOX ASSEMBLY, COMPLETE SHELL WHITE (A-C)

<b>A</b>	<b>TEMPLATE ASM., CEILING (A1-A18)</b>	<b>3105454.015</b>
	A1 Insulation	3107133.005
	A2 Template	3100265.028
	A3 Box, junction	3100275.001
	A4 Box, back RH	3100279.011
	A5 Box, front RH	3100277.031
	A6 Duct, ext. lower	3100342.009
	A7 Duct, ext. upper	3100262.009
	A8 Strain, relief (2 req.)	302994.017
	A9 Decal, field wiring	3106220.001
	A10 Sleeve	318087.007
	A11 Thermostat, ht/clg	313620.001
	A12 Bushing	301028.040
	A13 Box, back LH	3100299.035
	A14 Cover, junction box	3100278.013
	A15 Box, front LH	3105271.005
	A16 Plug, female 9-pole	3106624.020
	A17 Decal, "Caution . . ."	3100384.001
	A18 Switch, rotary	3100488.000
<b>B</b>	<b>BOX, AIR Shell White (B1-B5)</b>	<b>3101390.098</b>
	B1 Decal, thermostat (RH)	3106219.003
	B2 Louver (2 req.)	3100289.002
	B3 Filter (2 req.)	3100281.009
	B4 Grill (2 req.)	3100270.002
	B5 Decal, rotary switch (LH)	3106221.009
<b>C</b>	<b>BAG, MISC. PARTS (C1-C6)</b>	<b>3108701.628</b>
	C1 Screw, 10-16 x .5 (6 req.)	312096.015
	C2 Screw, 8-32 x .38 (3 req.)	312194.008
	C3 Screw, 1/4-20 x 7 (3 req.)	3106756.012
	C4 Cover, junction box	3100278.013
	C5 Connector	20010.000
	C6 Knob (2 req.)	3106121.001

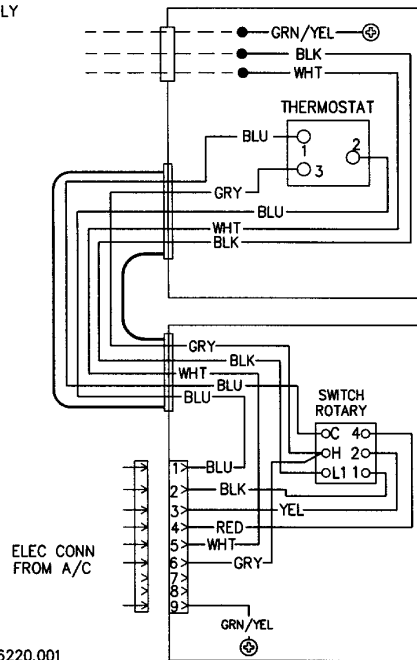
## WIRING DIAGRAM ROOF MOUNTED ASSEMBLY



## WIRING DIAGRAM AIR BOX

115 VAC  
60 HZ 1 PH  
USE COPPER  
CONDUCTORS  
ONLY

--- FIELD WIRING  
— FACTORY WIRING  
● LINE SPLICE





This manual has been provided courtesy of  
My RV Works, Inc.

[www.myrvworks.com](http://www.myrvworks.com)



You can find more RV service manuals here:

[www.myrvworks.com/manuals](http://www.myrvworks.com/manuals)

Over the years of running a mobile RV repair service, having a dedicated place to access service manuals for all the different appliances and components found on RVs was something that I always had a desire to create.

I hope this resource makes your RV repairs easier, as it has mine, but please be careful and follow proper safety practices when attempting to repair your own RV.

If in doubt, please consult with a professional RV technician!



DARREN KOEPP - OWNER, MY RV WORKS, INC.

*All service manuals provided on [www.myrvworks.com](http://www.myrvworks.com) are believed to be released for distribution and/or in the public domain.*