



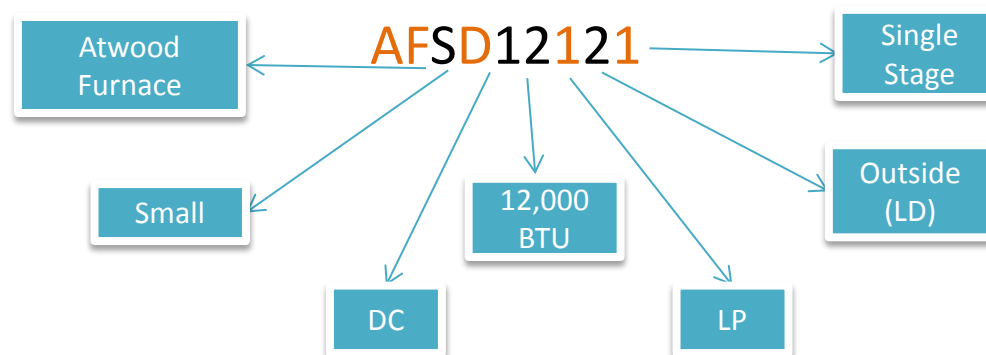
Atwood Rapid Heat Furnaces

Dimensional Information



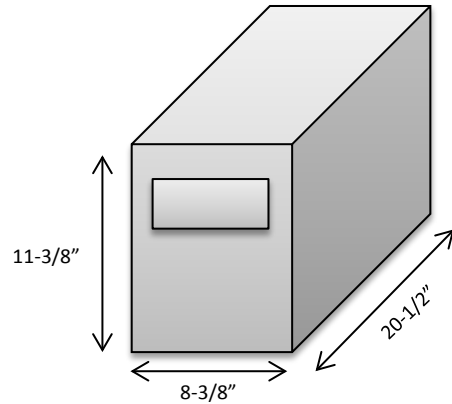
Atwood Furnace	Cabinet Size	Voltage	Input BTU/h	Gas	Valve Manifold	Stages
AF	S = Small M=Medium L=Large SA=Low Amps	D=DC A=AC	12=12,000 16=16000 20=20,000 25=25,000 31=31,000 35=35,000 40=40,000	1=LP 2=LP/NAT	1=Inside 2= Outside (LD)	1 = Single 2=Two Stage

New Smart Model Example

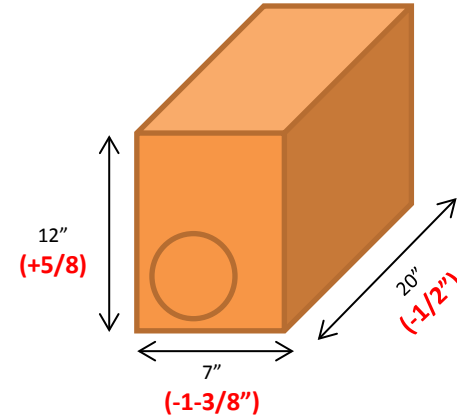


OLD MODEL	NEW MODEL DOOR	NEW MODEL LD
8012-II	AFSAD12111	AFSAD12121
7912-II	AFSD12111	AFSD12121
7916-II	AFSD16111	AFSD16121
7920-II	AFSD20111	AFSD20121

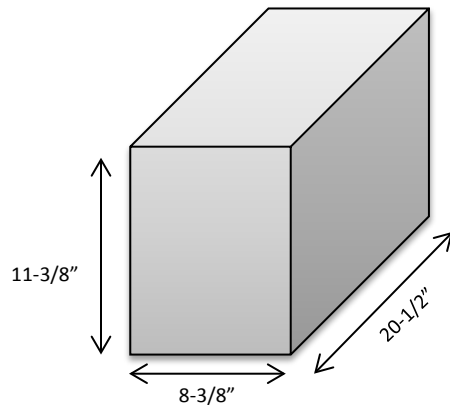
OLD SERIES DIMENSIONS



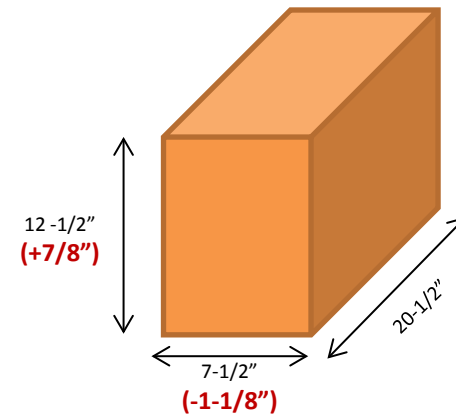
NEW SERIES DIMENSIONS



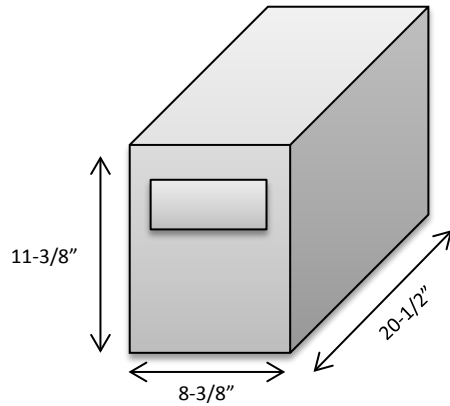
OLD SERIES CUTOUT



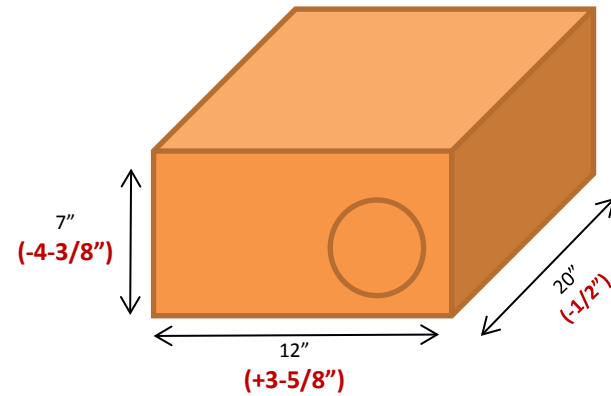
NEW SERIES CUTOUT



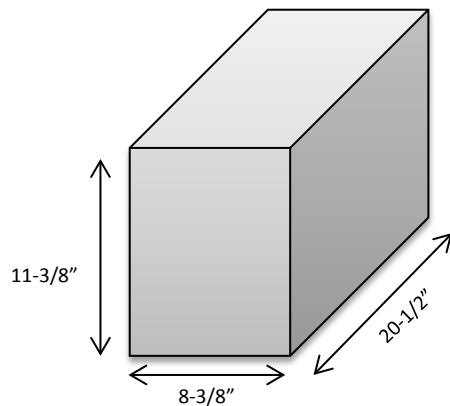
OLD SERIES DIMENSIONS



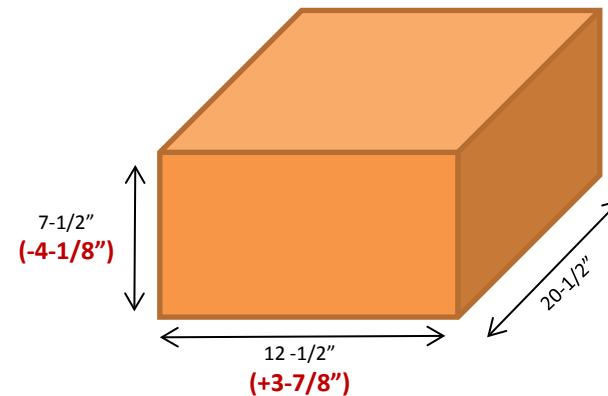
NEW SERIES DIMENSIONS



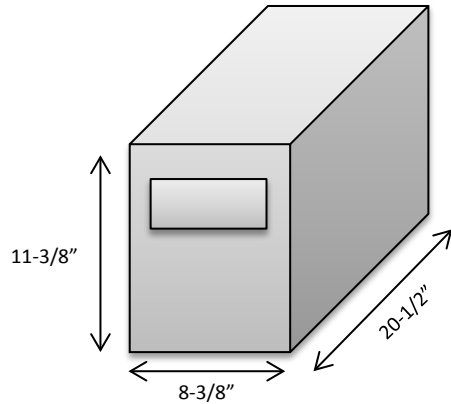
OLD SERIES CUTOUT



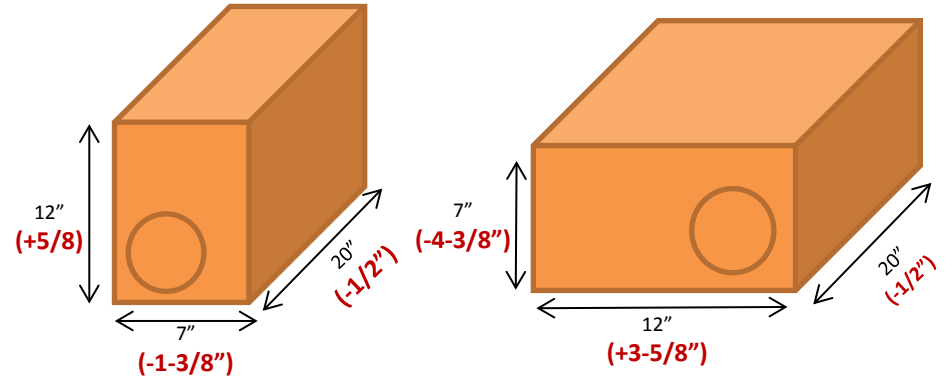
NEW SERIES CUTOUT



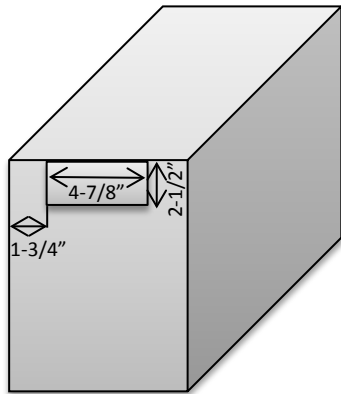
OLD SERIES DIMENSIONS



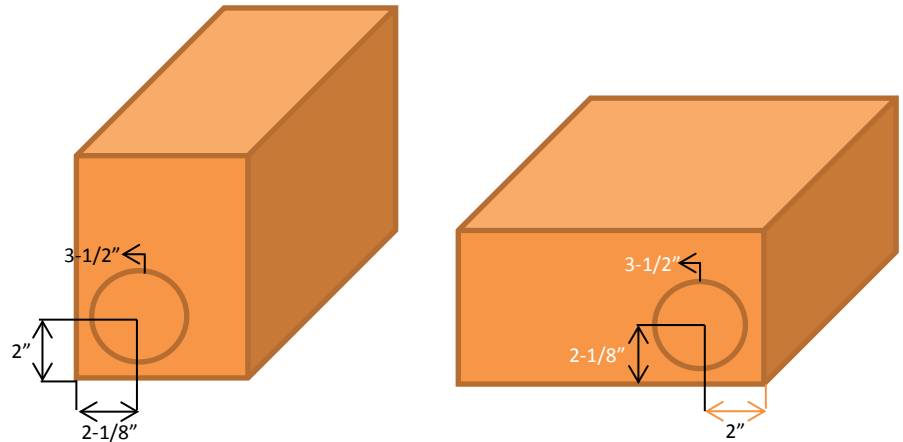
NEW SERIES DIMENSIONS

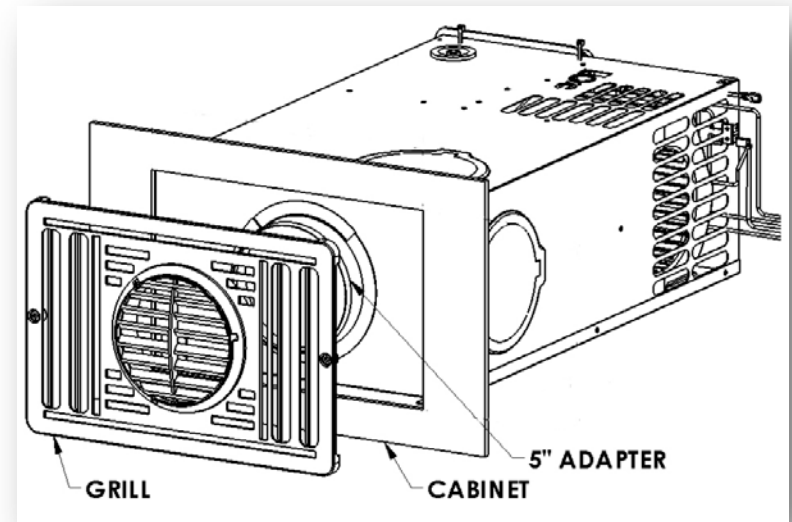
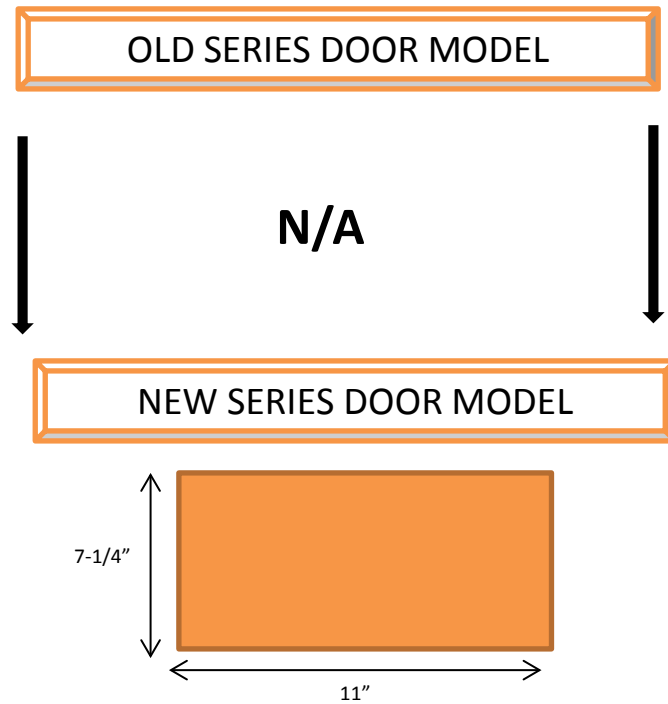


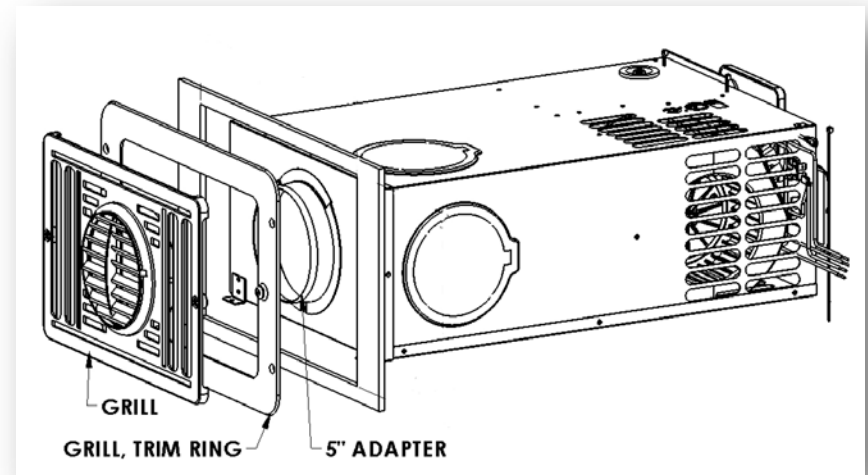
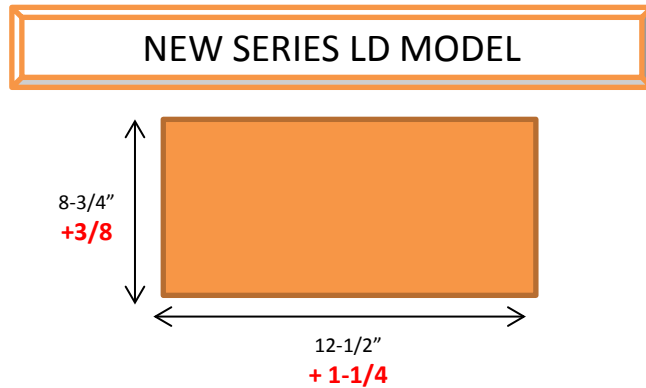
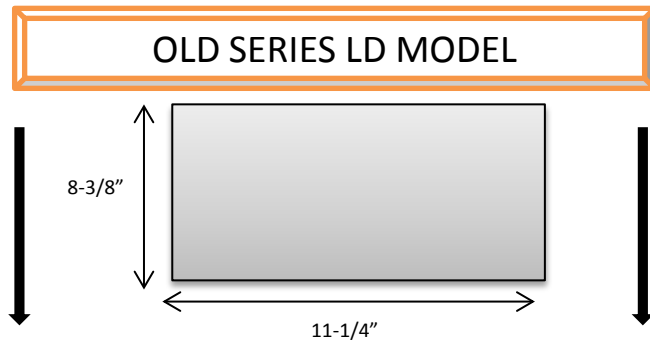
OLD SERIES VENT CUTOUT



NEW SERIES VENT CUTOUT

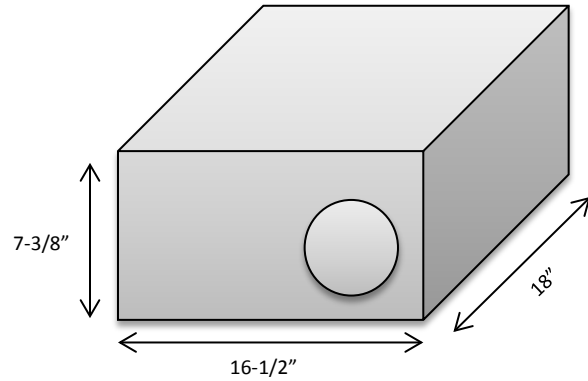




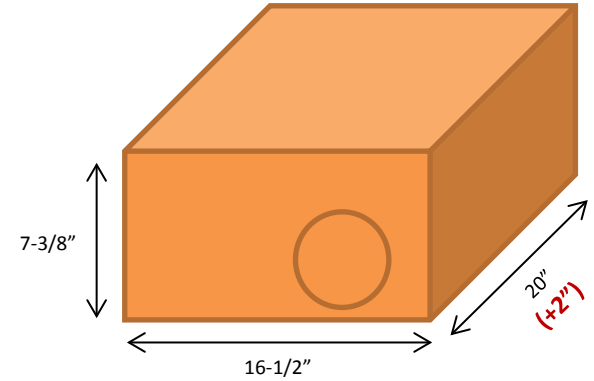


OLD MODEL	NEW MODEL DOOR	NEW MODEL LD
8516-IV	AFMD16111	AFMD16121
8520-IV	AFMD20111	AFMD20121
8525-IV	AFMD25111	AFMD25121
8531-IV	AFMD30111	AFMD30121
8535-IV	AFMD35111	AFMD35121

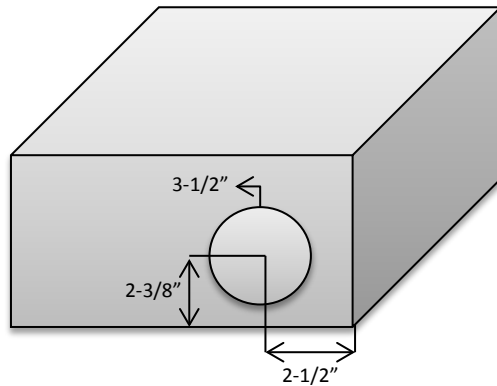
OLD SERIES DIMENSIONS



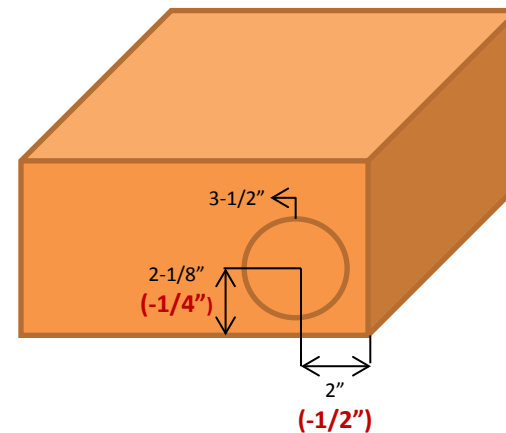
NEW SERIES DIMENSIONS



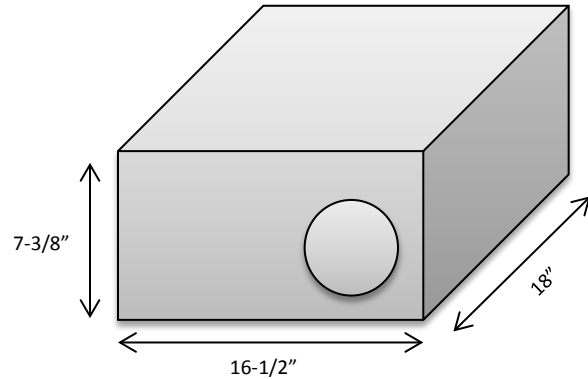
OLD SERIES VENT CUTOUT



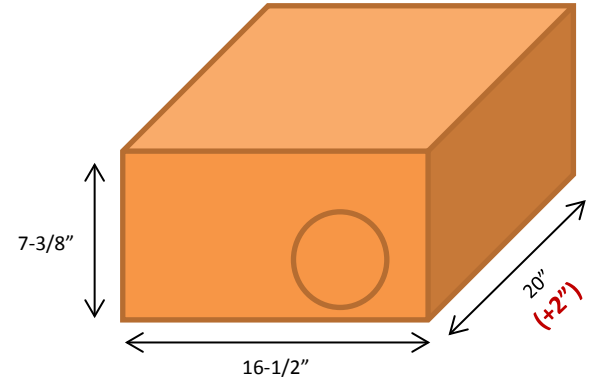
NEW SERIES VENT CUTOUT



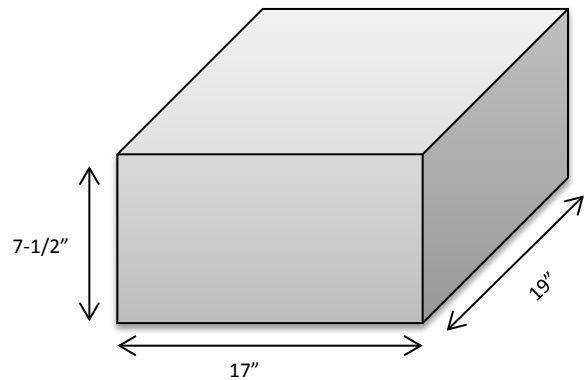
OLD SERIES DIMENSIONS



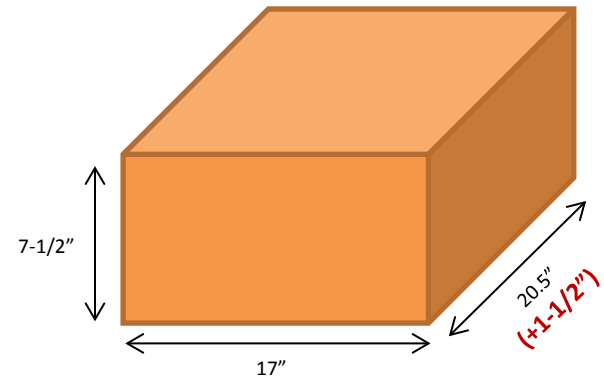
NEW SERIES DIMENSIONS



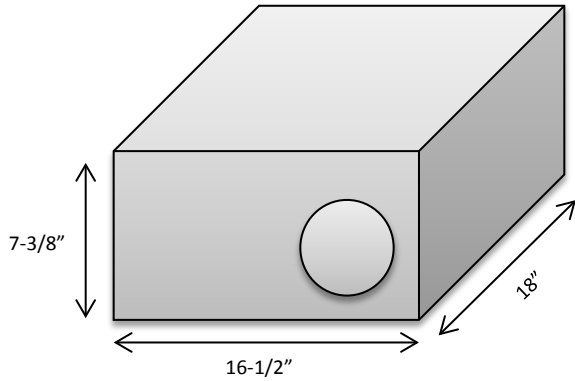
OLD SERIES STANDARD DOOR



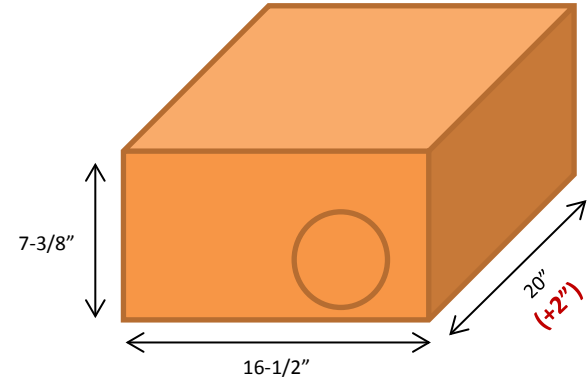
NEW SERIES STANDARD DOOR



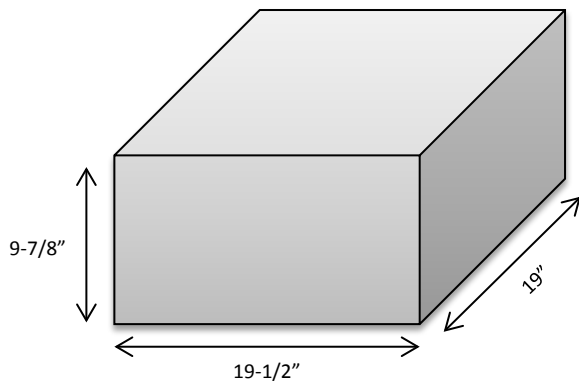
OLD SERIES DIMENSIONS



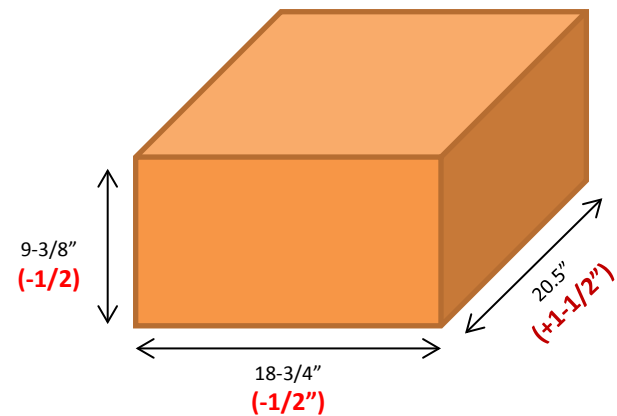
NEW SERIES DIMENSIONS



OLD SERIES FLUSH DOOR



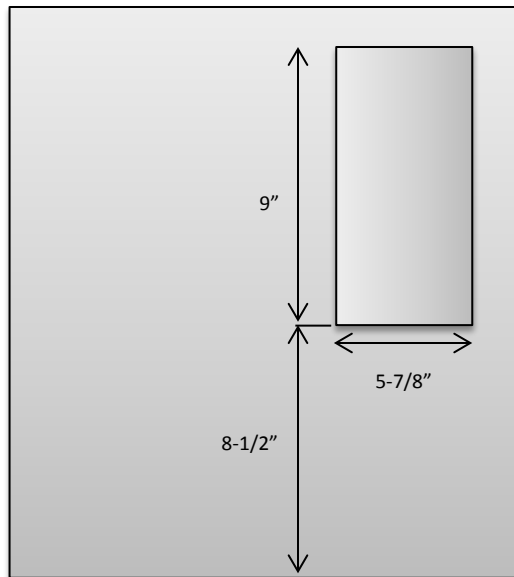
NEW SERIES FLUSH DOOR



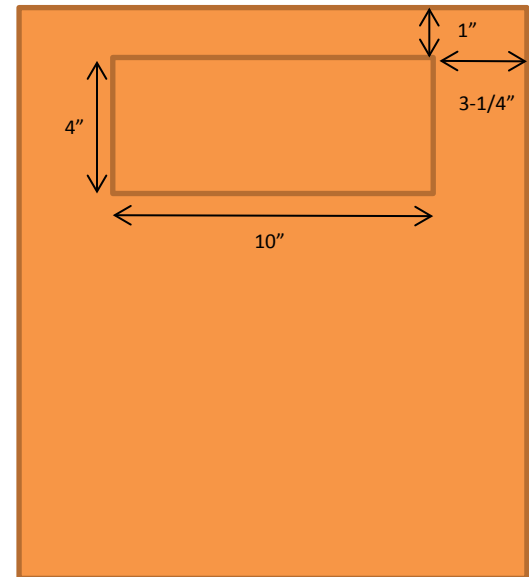
OLD SERIES DISCHARGE
(Horizontal Top View)



NEW SERIES DISCHARGE
(Horizontal Top View)



Coach Wall

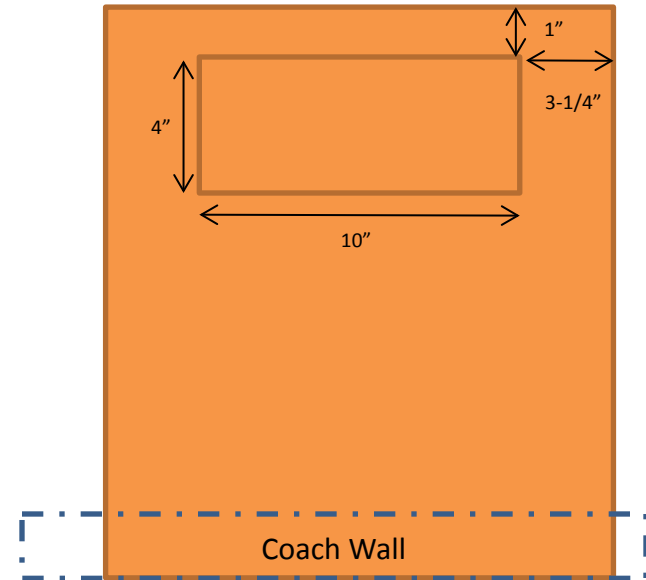
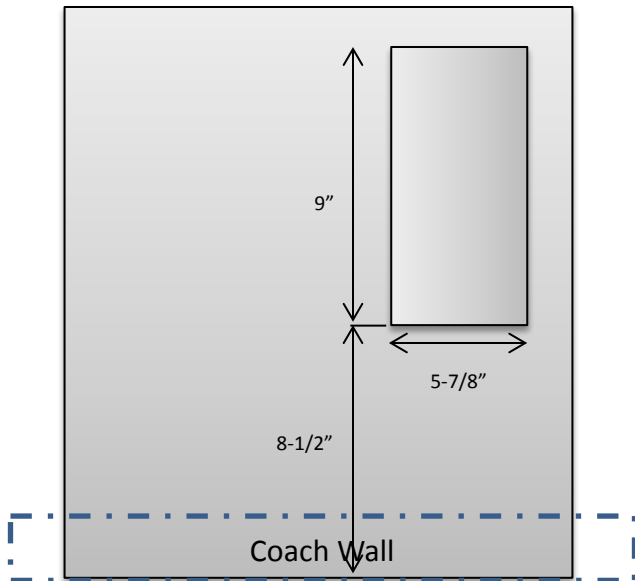


Coach Wall

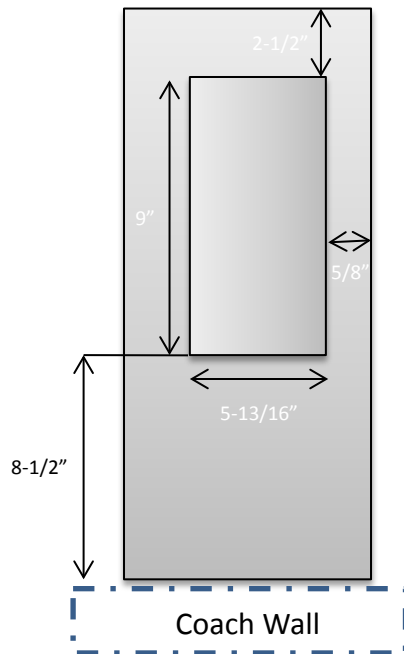
OLD SERIES DISCHARGE
(Horizontal Top View)



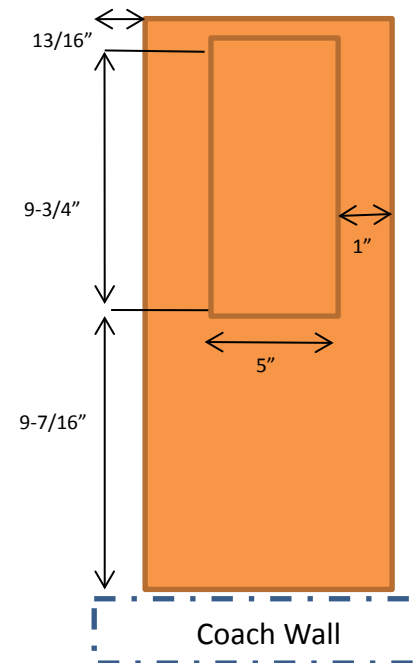
NEW SERIES DISCHARGE
(Horizontal Top View)



OLD SERIES DISCHARGE
(Vertical Top View)



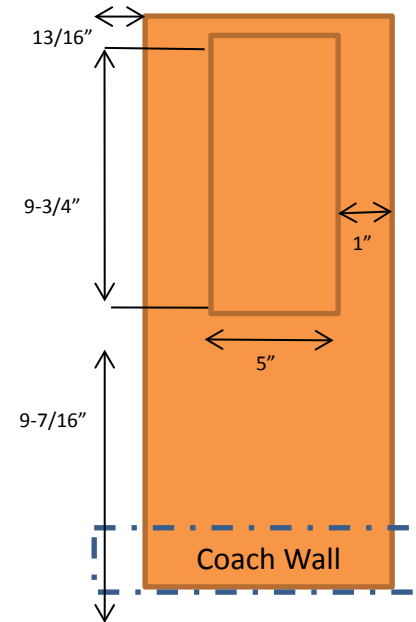
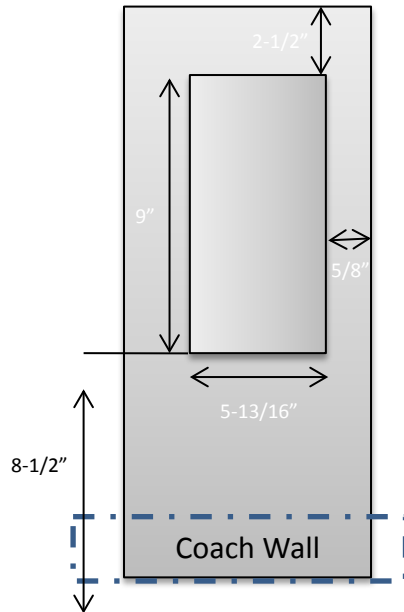
NEW SERIES DISCHARGE
(Vertical Top View)



OLD SERIES DISCHARGE
(Vertical Top View)

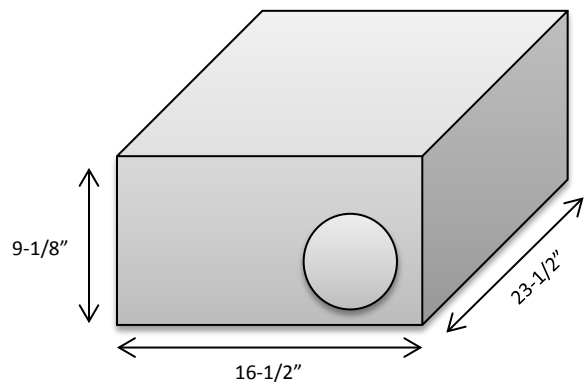


NEW SERIES DISCHARGE
(Vertical Top View)

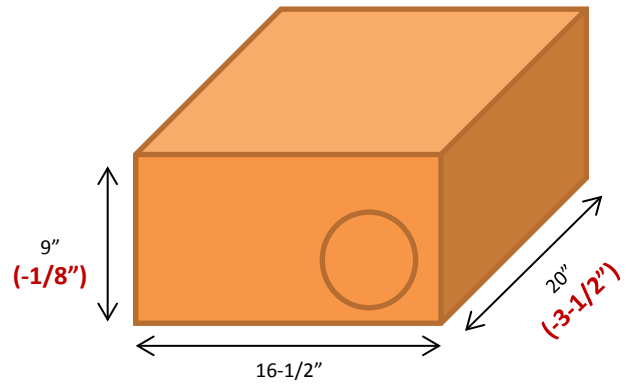


OLD MODEL	NEW MODEL DOOR	NEW MODEL LD
8535DCLP	AFLD35111	AFLD35121
8940DCLP	AFLD40111	AFLD40121
8935ACLC	AFLA35111	AFLA35121
8940ACLC	AFLA40111	AFLA40121

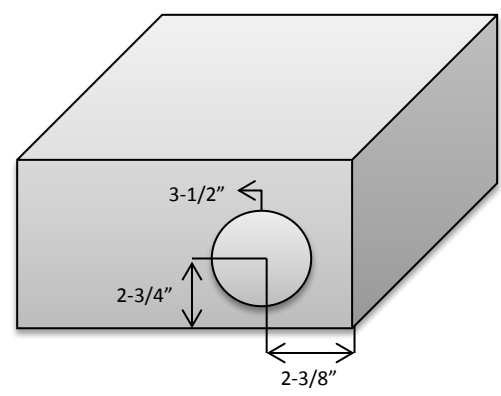
OLD SERIES DIMENSIONS



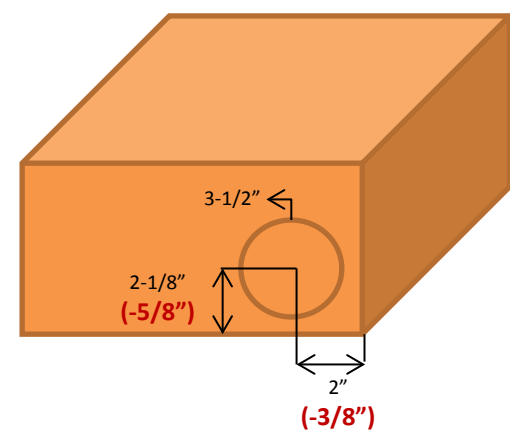
NEW SERIES DIMENSIONS



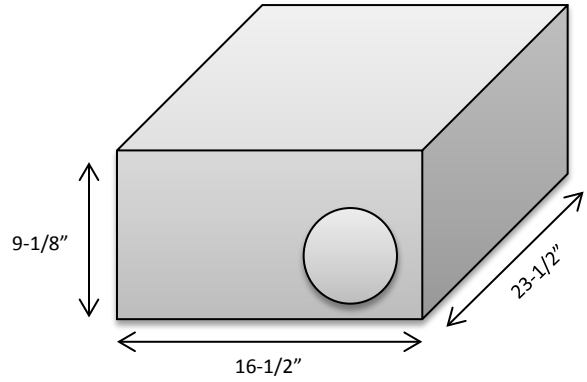
OLD SERIES VENT CUTOUT



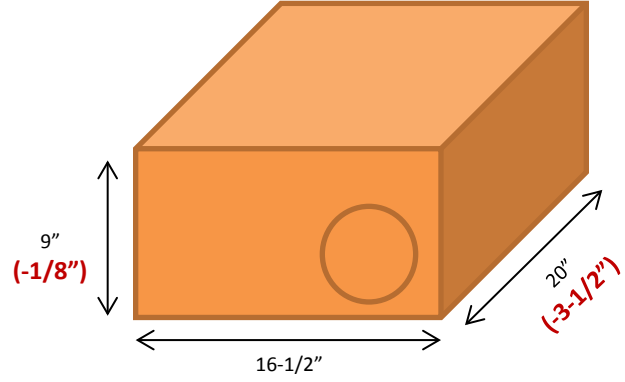
NEW SERIES VENT CUTOUT



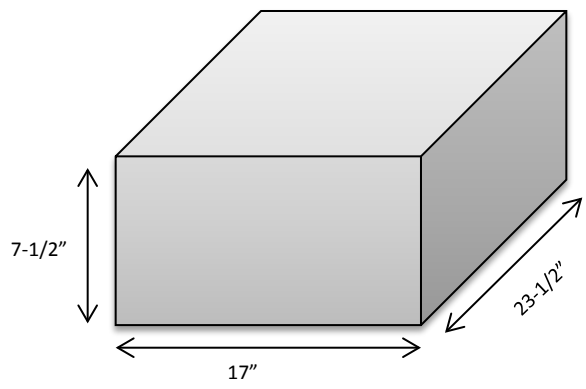
OLD SERIES DIMENSIONS



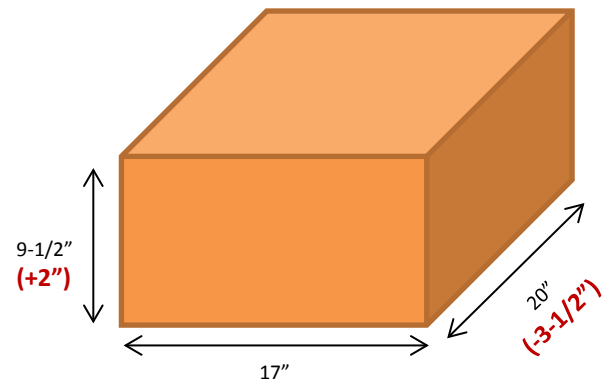
NEW SERIES DIMENSIONS



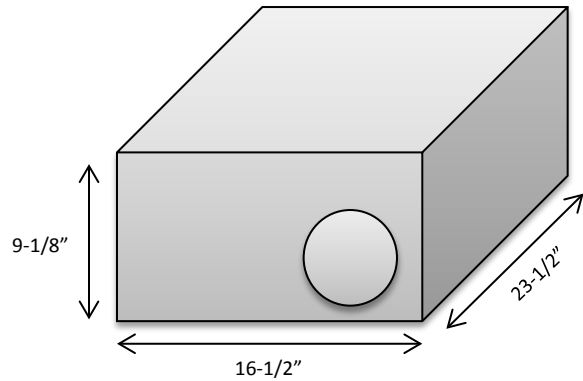
OLD SERIES STANDARD DOOR



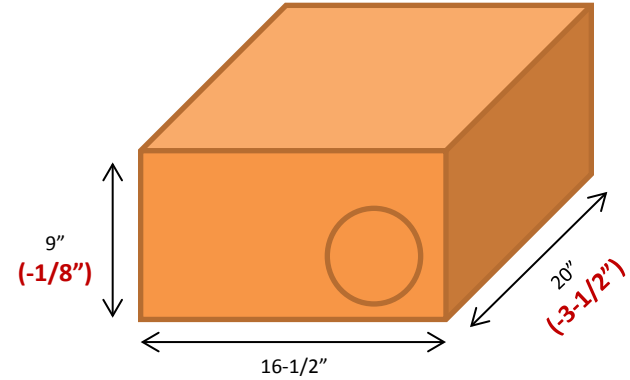
NEW SERIES STANDARD DOOR



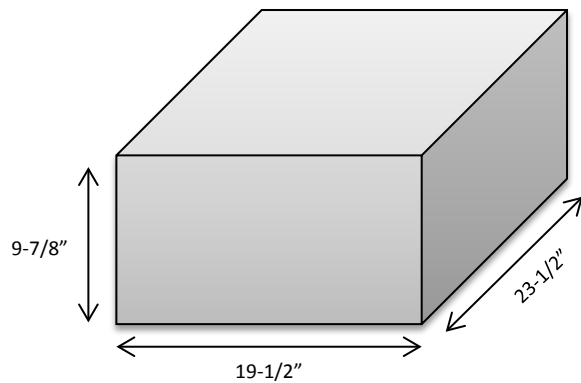
OLD SERIES DIMENSIONS



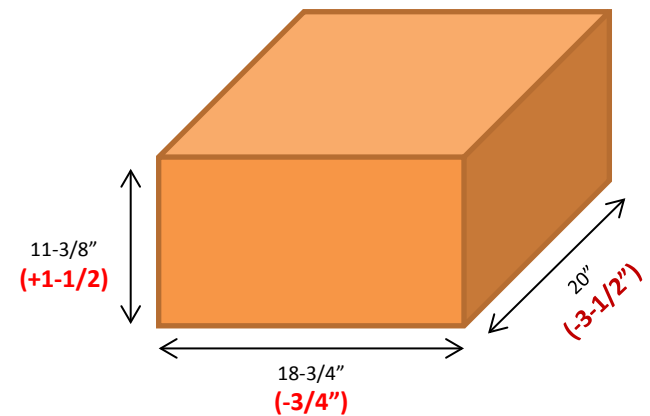
NEW SERIES DIMENSIONS



OLD SERIES FLUSH DOOR



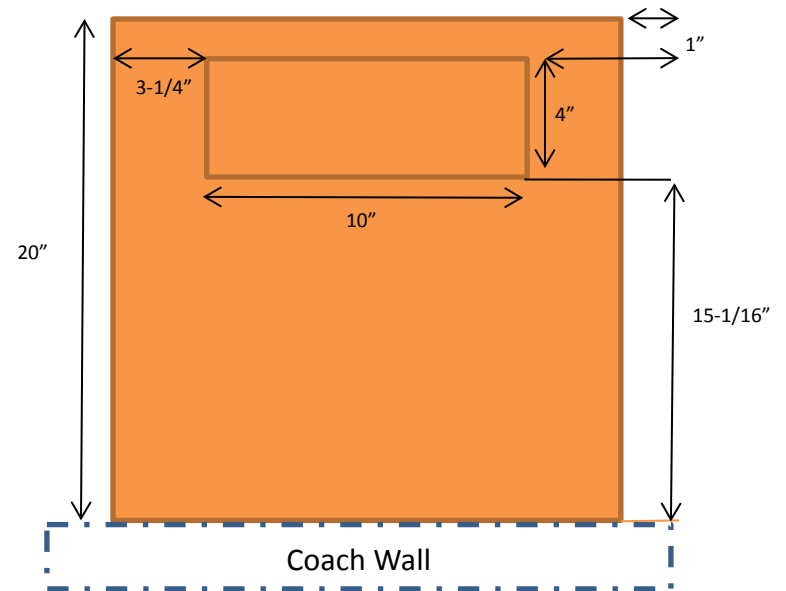
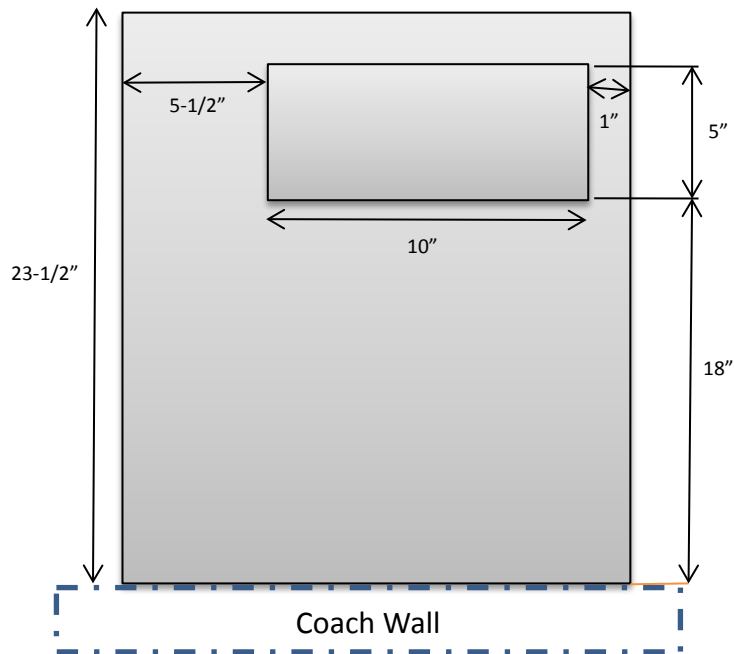
NEW SERIES FLUSH DOOR



OLD SERIES DISCHARGE
(Horizontal Top View)



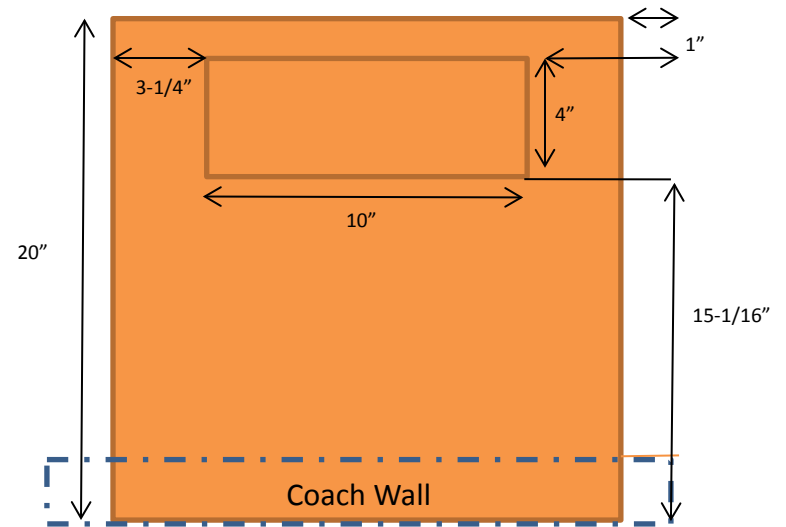
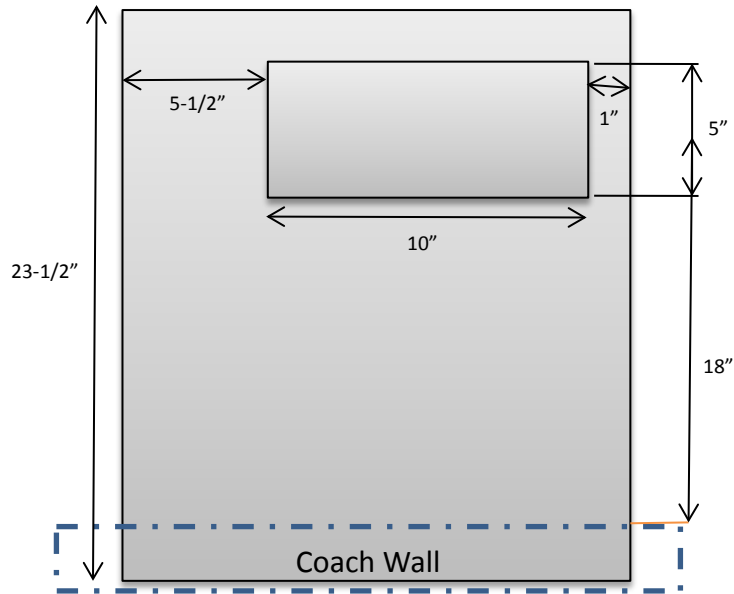
NEW SERIES DISCHARGE
(Horizontal Top View)



OLD SERIES DISCHARGE
(Horizontal Top View)



NEW SERIES DISCHARGE
(Horizontal Top View)



This manual has been provided courtesy of
My RV Works, Inc.

www.myrvworks.com



You can find more RV service manuals here:

www.myrvworks.com/manuals

Over the years of running a mobile RV repair service, having a dedicated place to access service manuals for all the different appliances and components found on RVs was something that I always had a desire to create.

I hope this resource makes your RV repairs easier, as it has mine, but please be careful and follow proper safety practices when attempting to repair your own RV.

If in doubt, please consult with a professional RV technician!



DARREN KOEPP - OWNER, MY RV WORKS, INC.

All service manuals provided on www.myrvworks.com are believed to be released for distribution and/or in the public domain.